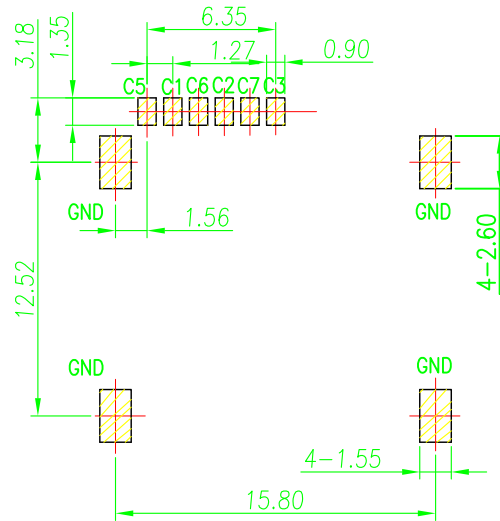
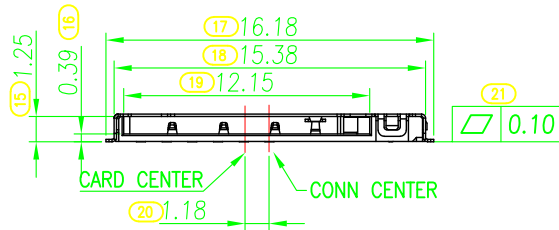
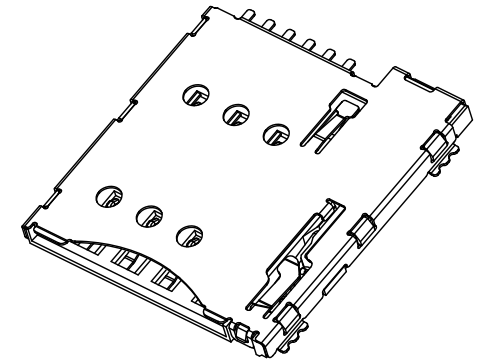
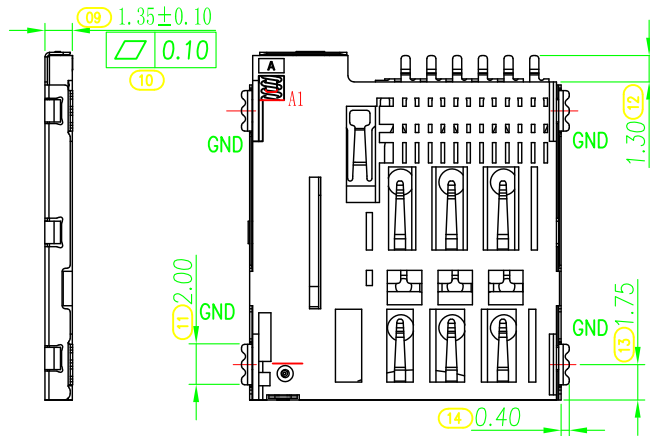
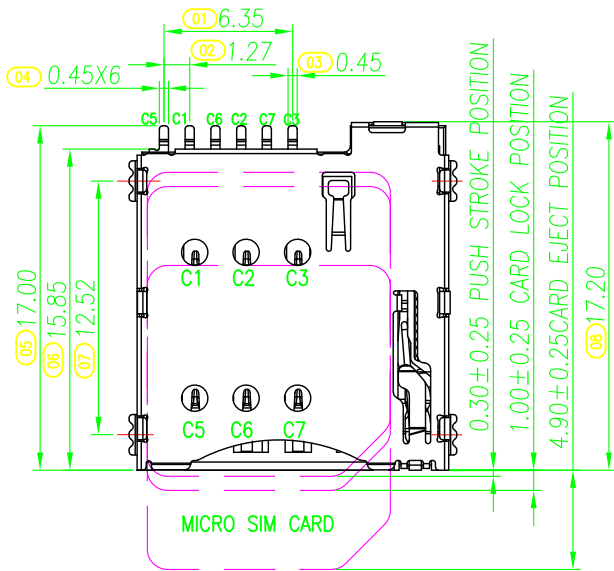


REV.	ECN NO.	LOCAS.	DESCRIPTION	DATE	DESIGN
A0			RELEASE TO CUSTOMER	080505	HANG
A1			弹簧定位柱和弹簧置数孔位变更	230410	JIANG



SIM pin Assignment	
PIN#	Name
C1	VCC
C2	RST
C3	CLK
C5	GND
C6	VPP
C7	I/O

NOTES:

MATERIAL:

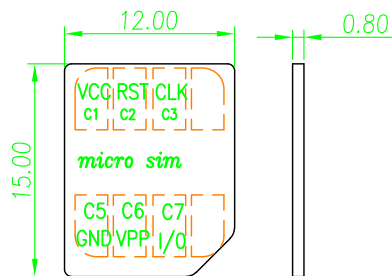
Insulator: High Temperature Thermoplastic,
Contact: Copper Alloy
Shell: STAINLESS

PLATING:

Contact: Plated 30u" Ni Overall ,Solder Area: Tin,Contact G/F
Shell: Plated 30u" Ni Overall
Plated G/F Selective Contact Area

Electrical:

Current Rating :0.5A AC/DC max.
Voltage Rating :50V AC/DC MAX
Ambient Temperature Range :-20°C~+85°C
Storage Temperature Range :-40°C~+70°C
Ambient Humidity Range :95% R.H. Max.
Contact Resistance:100mΩ max.
Insulation Resistance:1000M min./250V DC
Dielectric Withstanding Voltage:500V AC
Mating Cycles:5,000 Insertions
Temperature: 260°C ±5°



- CIRCUIT TRACE KEEP OUT AREA
- SMT SOLDER AREA

THERE SHOULD NOT BE ANY CIRCUITRIES
IN THE LAYOUT SPACE OF THE PRODUCTS.

RECOMMENDED PCB LAYOUT
GENERAL TOLERANCE ±0.05

DIM	TOL	DIM	TOL
X.	±0.30	X'	±4.0°
X.X	±0.25	X.X'	±3.0°
X.XX	±0.20	X.XX'	±2.0°
X.XXX	±0.10	X.XXX'	±1.0°

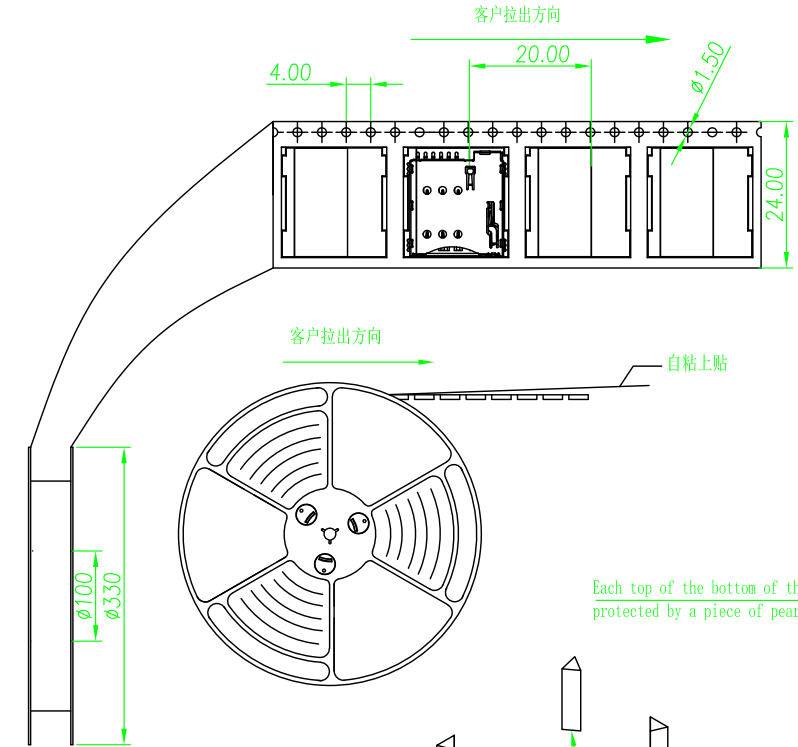
THIS DRAWING CONTAINS INFORMATION THAT IS PROTECTED BY LASTAR TECHNOLOGY AND SHOULD NOT BE USED WITHOUT WRITTEN PERMISSION

LASTAR

Lastar Technology CO.,LTD

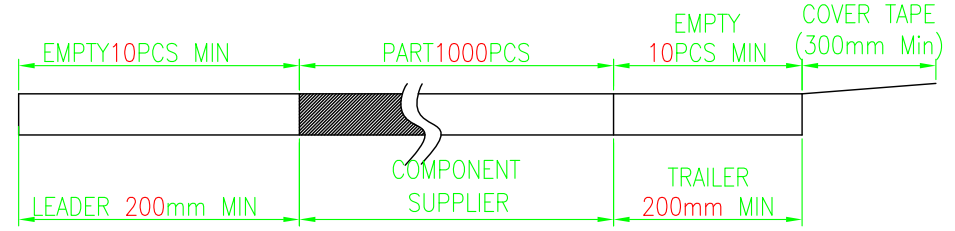
FILE NO		DATE	PRODUCT NAME:	
DESIGN	JIANG	230410	MICRO-SIM PUSH/PUSH 6PIN 1.35无柱、无侧测(卡扣、有弹片、错位)	
CHECK	WANGCM	230410	PART NUMBER	SHORT CODE : 10300020
APPROVED	HUYX	230410	SIM-080-1317-06Z9	MODEL:
			UNIT: mm	SHEET: N/A
			REV. A1	SCALE N/A

REV.	ECN NO.	LOCAS.	DESCRIPTION	DATE	DESIGN
A0			RELEASE TO CUSTOMER	080505	HANG
A1			弹簧定位柱和弹簧塑胶孔位变更	230410	HANG

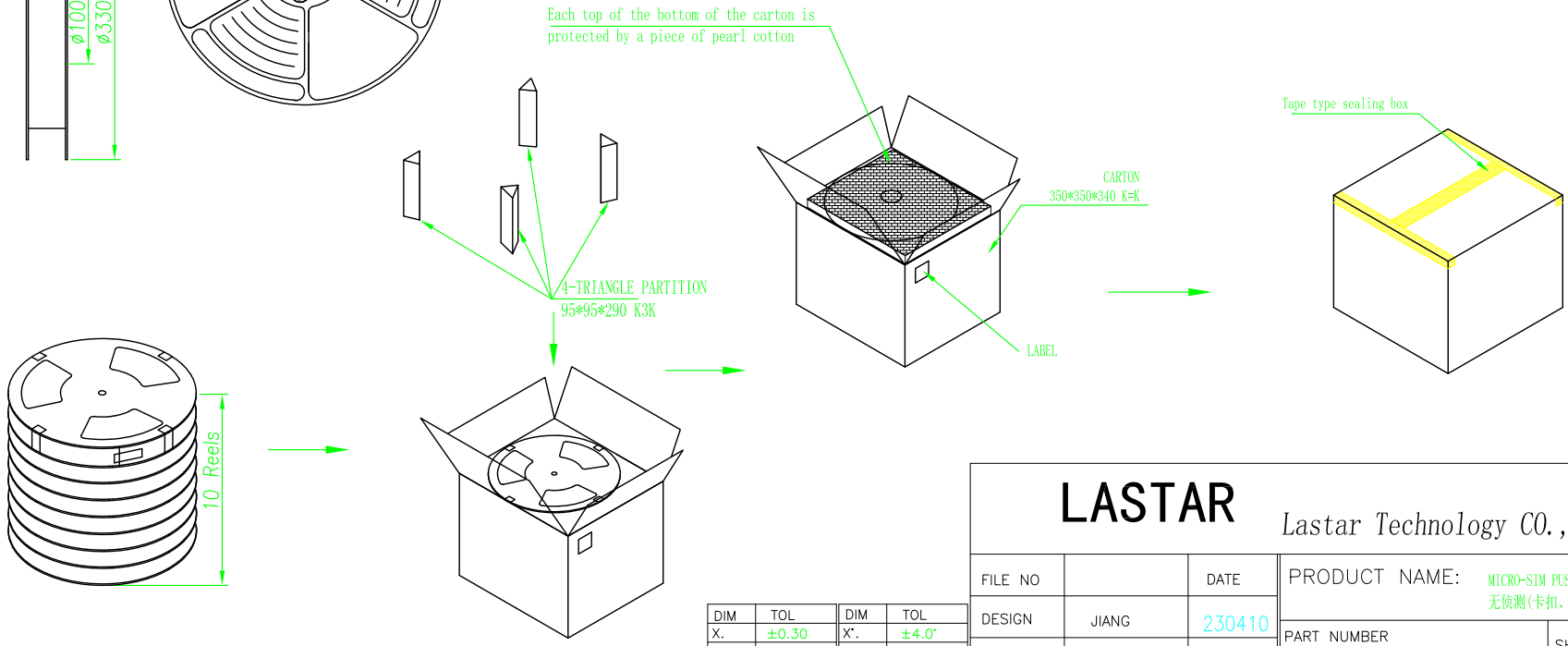


NOTES

1. NUMBER OF CONNECTORS: 1000PCS/REEL
2. LEAD TAPE LENGTH



3. QUANTITY: 10000PCS/CARTON



DIM	TOL	DIM	TOL
X.	±0.30	X'	±4.0*
X.X	±0.25	X.X'	±3.0*
X.XX	±0.20	X.XX'	±2.0*
X.XXX	±0.10	X.XXX'	±1.0*

THIS DRAWING CONTAINS INFORMATION THAT IS PROVIDED BY LASTAR TECHNOLOGY AND SHOULD NOT BE USED WITHOUT WRITTEN PERMISSION

LASTAR

Lastar Technology CO., LTD

FILE NO		DATE	PRODUCT NAME: MICRO-SIM PUSH/PUSH 6PIN 1.35无柱、无侦测(卡扣、有弹片、避位)	
DESIGN	JIANG	230410		
CHECK	WANGCM	230410	PART NUMBER SIM-080-1317-06Z9	SHORT CODE : 10300020
APPROVED	HUYX	230410	UNIT: mm	SHEET: N/A
			MODEL:	REV. A1 SCALE N/A

A
B
C
D

A
B
C
D

1 2 3 4

1 2 3 4