

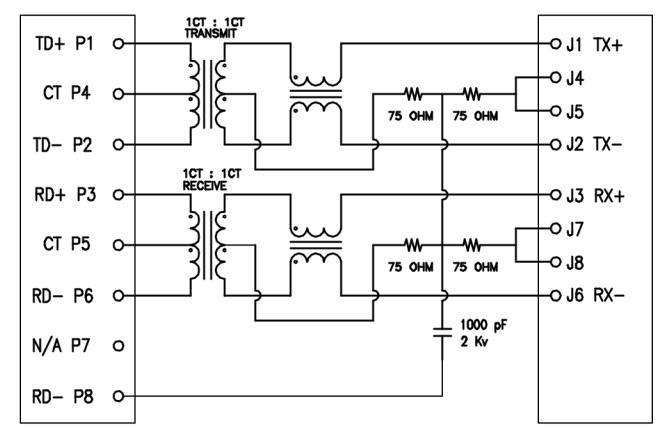
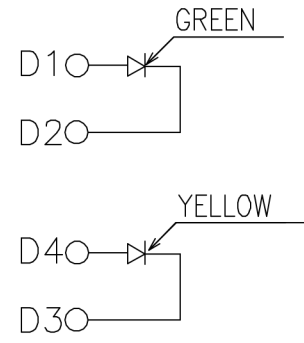
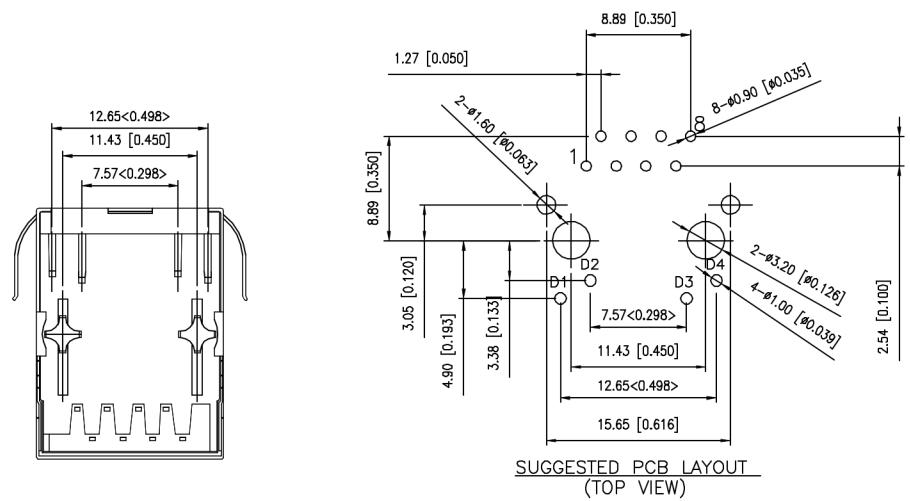
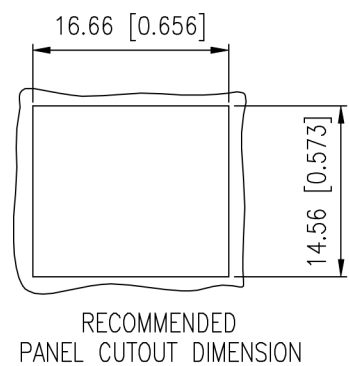
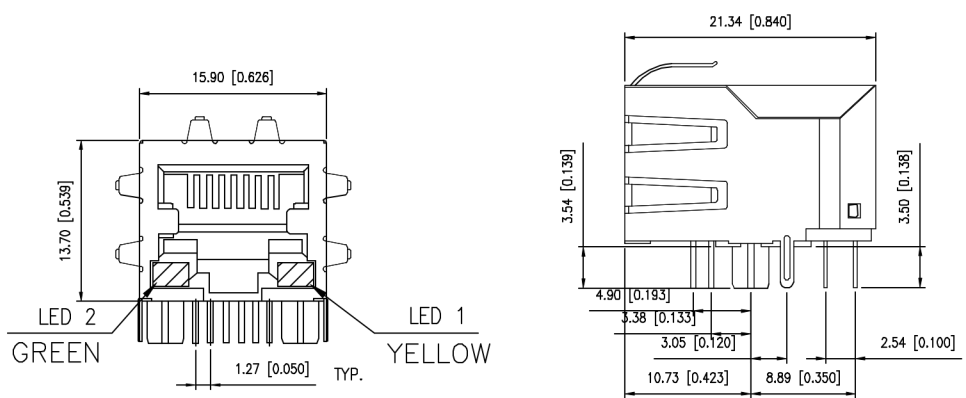
CATEGORY	DESCRIPTION	P/N #
CONNECTOR	RJ45+Transformer 10/100Mbps With LED	MJ1A-B211-RSL13T001-0

原料號為: MJ001-B211-RS2L13T1
 變更料號為: MJ1A-B211-RSL13T001-0

REV.	ECN NO	DESCRIPTION	REVISED	DATE
R01		New Release	Kelly	2010.5.18

ELECTRICAL SPECIFICATIONS @ 25°C +/- 5°C unless otherwise noted:

Insertion Loss: 1-100MHZ -1.0dB MAX
 Return Loss: 1-30MHZ -16.0dB MIN
 30-60MHZ -14.0dB MIN
 60-80MHZ -10.0dB MIN
 Cross Talk: 1-30MHZ -40.0dB MIN
 30-60MHZ -35.0dB MIN
 60-80MHZ -30.0dB MIN



CMR:1-100MHZ -35.0dB MIN
 Hi-Pot: 1500v AC 6S 1mA
 OCL:350uH MIN @ 100KHZ 100mV 8mA DC
 Turn Ratio: 1CT:1CT+/-3% Housing Material: PBT Black
 Operating temperature range:0°C to +70°C
 Contacts: 0.35mm thick phos bronze plated with 6u' gold in contact area

贵州省合曜电子科技有限公司
 GuiZhouSheng HeYao Electronic Technology Co.,Ltd

UNLESS OTHERWISE SPECIFIED TOLERANCES	SCALE:1/1	UNIT: mm	DWG.NO: HL-TR-001
	SIZE: A3	PAGE:1 OF 1	
UNIT: mm	APPROVED BY	CHECKED BY	PREPARED BY
.XX :±0.25 .XXX :±0.13	Tony	Bill	Kelly
CUSTOMER COPY			