

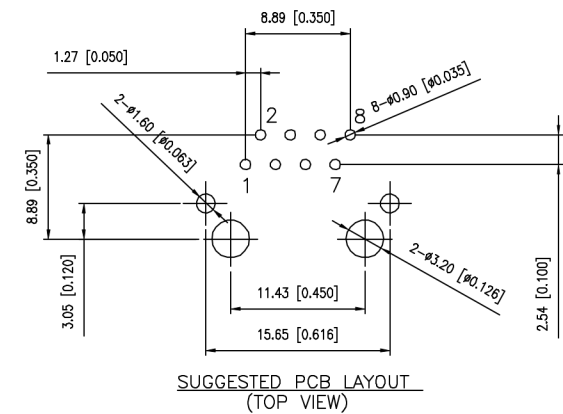
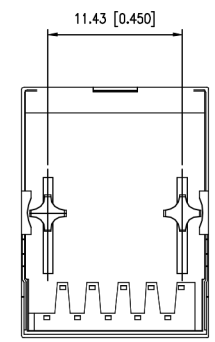
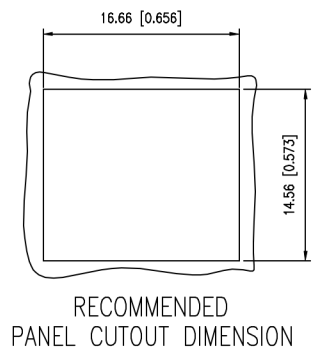
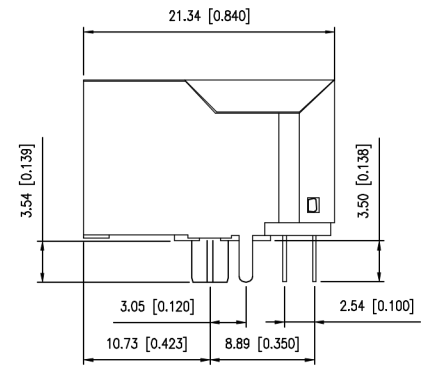
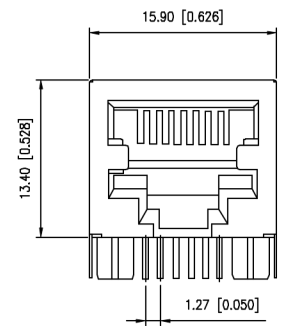
CATEGORY	DESCRIPTION	P/N #
CONNECTOR	RJ45+Transformer 10/100Mbps	MJ1A-B211-RT001

原料號為: MJ001-B211-RT1  
變更料號為: MJ1A-B211-RT001

REV.	ECN NO	DESCRIPTION	REVISED	DATE
R01		New Release	Kelly	2008.04.21

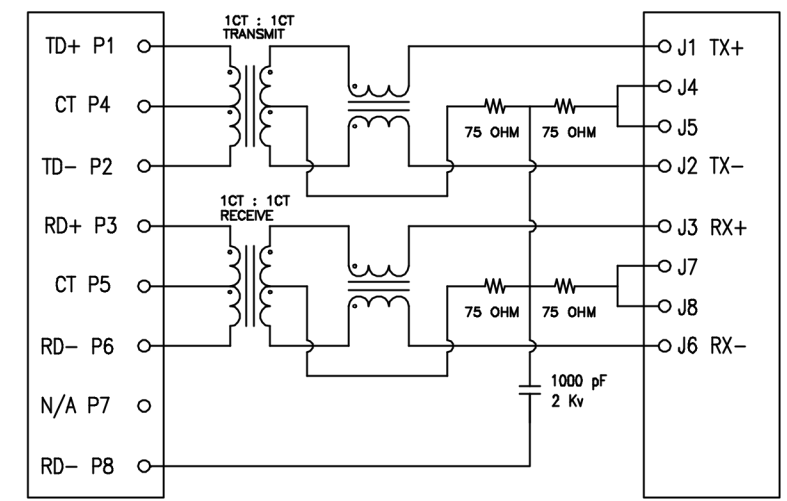
ELECTRICAL SPECIFICATIONS @ 25°C+/-5°C unless otherwise noted:

Insertion Loss: 1-100MHZ -1.0dB MAX  
 Return Loss: 1-30MHZ -16.0dB MIN  
 30-60MHZ -14.0dB MIN  
 60-80MHZ -10.0dB MIN  
 Cross Talk: 1-30MHZ -40.0dB MIN  
 30-60MHZ -35.0dB MIN  
 60-80MHZ -30.0dB MIN



RECOMMENDED  
PANEL CUTOUT DIMENSION

SUGGESTED PCB LAYOUT  
(TOP VIEW)



CMR:1-100MHZ -35.0dB MIN  
 Hi-Pot: 1500v AC 6S 1mA  
 OCL:350uH MIN @ 100KHZ 100mV 8mA DC  
 Turn Ratio: 1CT:1CT+/-3% Housing Material: PBT Black  
 Operating temperature range:0°C to +70°C  
 Contacts: 0.35mm thick phos bronze plated with 6u' gold in contact area

**贵州省合曜电子科技有限公司**  
 GuiZhouSheng HeYao Electronic Technology Co.,Ltd

UNLESS OTHERWISE SPECIFIED TOLERANCES	SCALE:1/1	UNIT: mm	DWG.NO: HL-TR-001
	SIZE: A3	PAGE:1 OF 1	
UNIT: mm .XX :±0.25 .XXX :±0.13	APPROVED BY Tony	CHECKED BY Bill	PREPARED BY Kelly
	CUSTOMER COPY		