

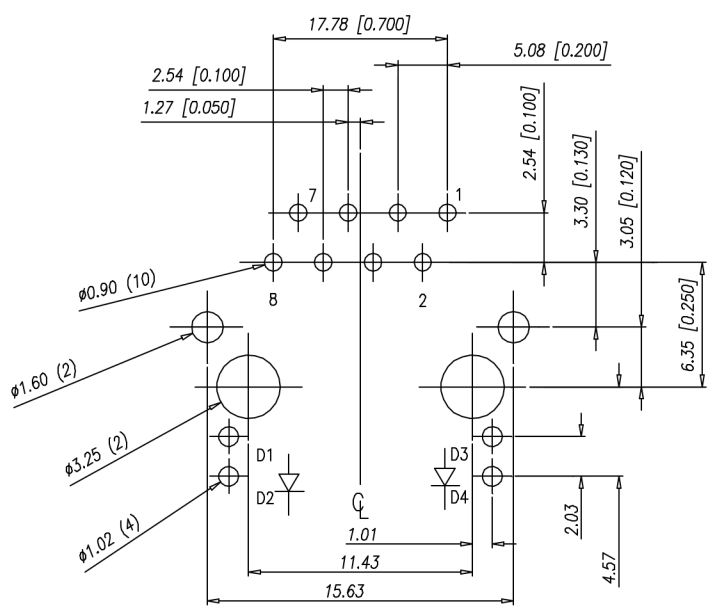
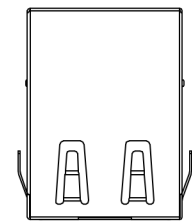
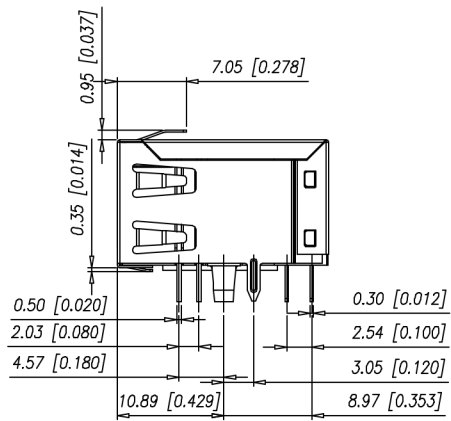
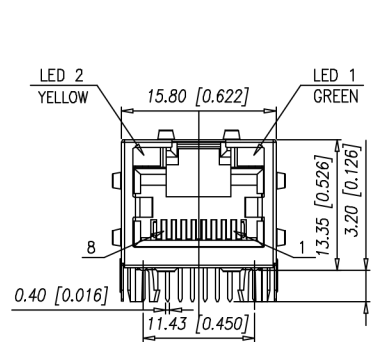
CATEGORY	DESCRIPTION	P/N #
CONNECTOR	RJ45+Transformer 10/100Mbps With LED	MJ2B-B211-RSL24T001-3

原料號為: MJ002B-B211-RSL24T1  
變更料號為: MJ2B-B211-RSL24T001-3

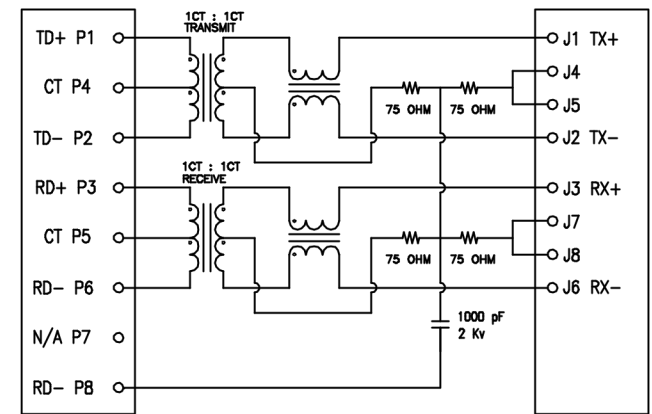
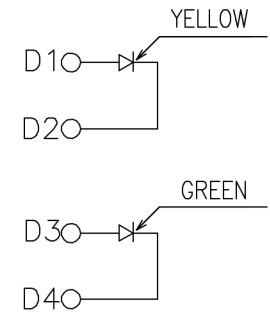
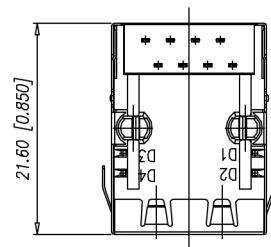
REV.	ECN NO	DESCRIPTION	REVISED	DATE
R01		New Release	Kelly	2010.5.16

ELECTRICAL SPECIFICATIONS @ 25°C+/-5°C unless otherwise noted:

Insertion Loss: 1-100MHZ -1.0dB MAX  
Return Loss: 1-30MHZ -16.0dB MIN  
30-60MHZ -14.0dB MIN  
60-80MHZ -10.0dB MIN  
Cross Talk: 1-30MHZ -40.0dB MIN  
30-60MHZ -35.0dB MIN  
60-80MHZ -30.0dB MIN



SUGGESTED PCB LAYOUT (TOP VIEW)



CMR:1-100MHZ -35.0dB MIN  
Hi-Pot: 1500v AC 6S 1mA  
OCL:350uH MIN @ 100KHZ 100mV 8mA DC  
Turn Ratio: 1CT:1CT+/-3% Housing Material: PBT Black  
Operating temperature range:0°C to +70°C  
Contacts: 0.35mm thick phos bronze plated with 6u' gold in contact area

**贵州省合曜电子科技有限公司**  
GuiZhouSheng HeYao Electronic Technology Co.,Ltd

UNLESS OTHERWISE SPECIFIED TOLERANCES	SCALE:1/1	UNIT: mm	DWG.NO: HL-TR-001
	SIZE: A3	PAGE:1 OF 1	
UNIT: mm	APPROVED BY	CHECKED BY	PREPARED BY
.XX :±0.25 .XXX :±0.13	Tony	Bill	Kelly
<b>CUSTOMER COPY</b>			