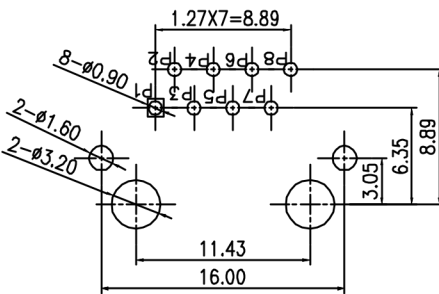
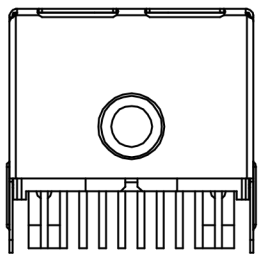
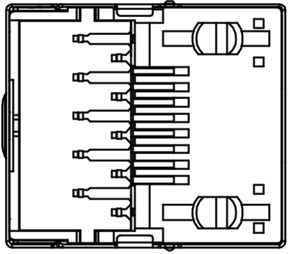
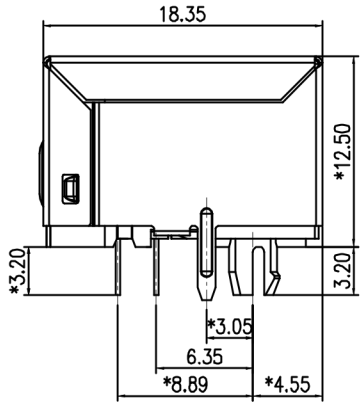
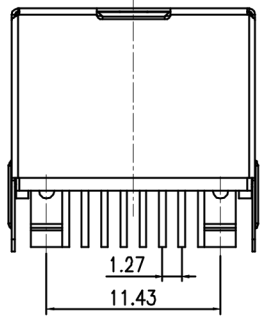
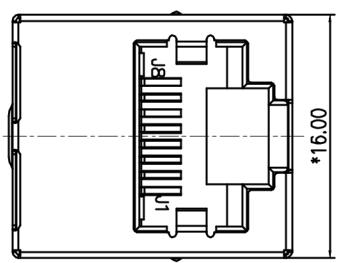


CATEGORY	DESCRIPTION	P/N #
CONNECTOR	RJ45+Transformer 100Mbps	MJ4-B211-YPT037

REV.	ECN NO	DESCRIPTION	REVISED	DATE
R01		New Release	Kelly	2013.5.06

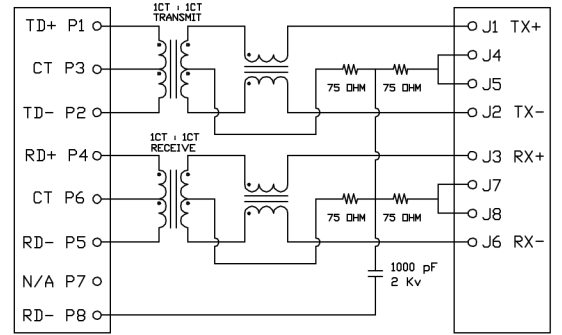


P. C. B RECOMMENDED HOLE LAYOUT SEEN FROM COMPONENT SIDE.

- NOTES:
- CONNECTOR MATERIAL:
HOUSING: THERMOPLASTIC UL94 V-0
CONTACT/SHIELD: COOPER ALLOY
SHIELD PLATING :NICKEL OR TIN
CONTACT PLATING: SELECTIVE GOLD,
50 MICRO-INCHS MIN
30 MICRO-INCHS MIN
15 MICRO-INCHS MIN
6 MICRO -INCHS MIN
3 MICRO -INCHS MIN
1N CONTACT AREA
 - PIN NOT ELECTRICALLY CONNECTED MAYBE OMITTED SEE ELECTRICAL DRAWING FOR OMITTED PINS.
 - RJ45 CAVITIES CONFORM TO FCC
 - THE PART IS RECOMMENDED FOR WAVE SOLDERING PROCESS PEAK SOLDERING TEMPERATURE IS 260: C MAX, 10 SECS MAX
 - OPERATING TEMPERATURE T= 0 : C TO +70: C.
 - STORAGE TEMPERATURE T=-40 : C TO +85: C.
 - ALL TOLERANCES NOT OTHERWISE SPECIFIED TO FOLLOW MIL-STD-2000 PART 68.

ELECTRICAL SPECIFICATIONS @25 : C:

- TURN RATIO: (P1~P2):(J1~J2) : 1:1: 3%
(P4~P5):(J3~J6) : 1:1: 3%
- INDUCTANCE: (P1~P2) AND (P4~P5) : 350uH MIN @0.1V, 100KHZ, 8mA DC BIAS
- LEAKAGE INDUCTANCE: P1~P2 (WITH J1 AND J2 SHORT) : 0.35uH MAX @1MHZ
P4~P5 (WITH J3 AND J6 SHORT) : 0.35uH MAX @1MHZ
- INTERWINDING CAPACITANCE: (P1~P2):(J1~J2) : 35pF MAX @ 1MHZ
(P4~P5):(J3~J6) : 35pF MAX @ 1MHZ
- DC RESISTANCE: (J1~J2):(J3~J6): 1.2 OHMS MAX
- RETURN LOSS: 1MHZ TO 30MHZ : -18dB MIN
30MHZ TO 60MHZ : -(18-20log(f/30))dB MIN (WHERE f IS IN MHZ)
60MHZ TO 100MHZ : -12dB MIN
- DIELECTRIC WITHSTAND: (P1~P2):(J1~J2) : 1500VAC OR 2250VDC
(P4~P5):(J3~J6) : 1500VAC OR 2250VDC
- INSERTION LOSS: 1MHZ TO 100MHZ : -1.2dB MAX
- CROSS TALK: 1MHZ TO 100MHZ : -30dB MIN
- COMMON TO COMMON MODE ATTENUATION: 1MHZ TO 100MHZ : -30dB MIN



贵州省合曜电子科技有限公司
GuiZhouSheng HeYao Electronic Technology Co.,Ltd

UNLESS OTHERWISE SPECIFIED TOLERANCES	SCALE: 1/1	UNIT: mm	DWG.NO: HL-TR-001
	SIZE: A3	PAGE: 1 OF 1	
UNIT: mm .XX : ±0.25 .XXX : ±0.13	APPROVED BY Tony	CHECKED BY Bill	PREPARED BY Kelly
	CUSTOMER COPY		