

CATEGORY	DESCRIPTION	P/N #
CONNECTOR	RJ45+USB 10/100Mbps	MU012-BX31-MRL3T14WL

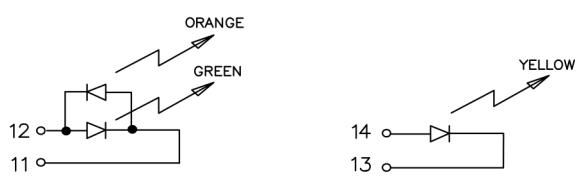
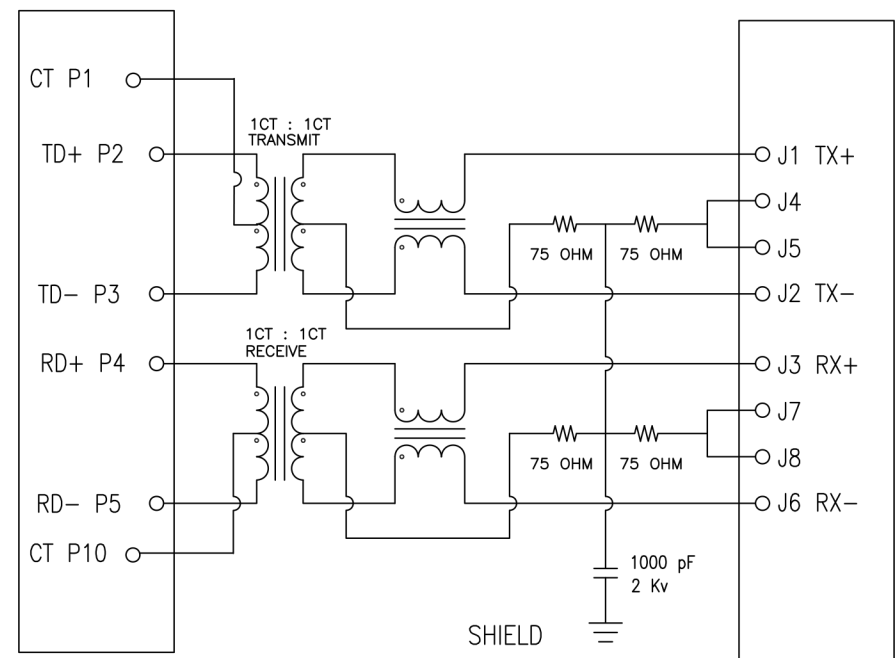
REV.	ECN NO	DESCRIPTION	REVISED	DATE
R01	—	New Release	WZ	2010.5.23

Electrical Specifications: (25°C)

- Turns Ratio:
TX & Rx= 1:1 ± 5%
- Insertion Loss:
@1~00 MHz : -1.2 dB Max
- Return Loss:
@1~30MHz : -16 dB Min
@ 60~80MHz : -12 dB Min
- Common Mode Rejection:
@1~100 MHz: -30 dB Min
- Crosstalk:
@1~100MHz : -30dB Min
- OCL:
@100KHz, 0.1V , 8mADC : 350uH Min
- Hi-Pot : 1200VAC, 1mA, 1Sec

Lead-free process,compliant RoHS

SCHEMATIC:



贵州省合曜电子科技有限公司
GuiZhouSheng HeYao Electronic Technology Co.,Ltd

UNLESS OTHERWISE SPECIFIED TOLERANCES	SCALE:1/1	UNIT: mm	DWG.NO:
	SIZE: A3	PAGE:2 OF 2	REV:R03
DECIMALS:	ANGLES:	APPROVED BY	CHECKED BY
X :±0.5	X :±2°	TONY	WZ
X.X :±0.3	X.X :±1'		
X.XX :±0.2			
PREPARED BY			
WZ			
CUSTOMER COPY			