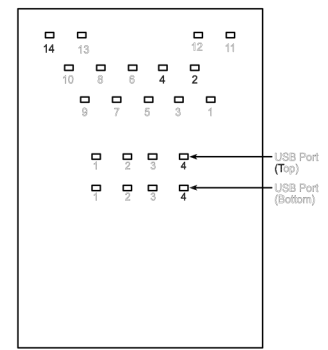
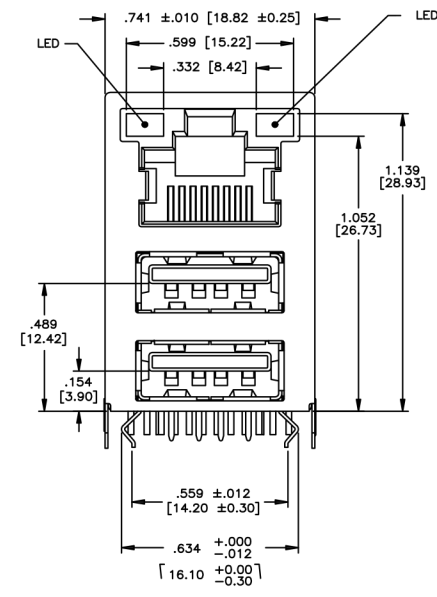
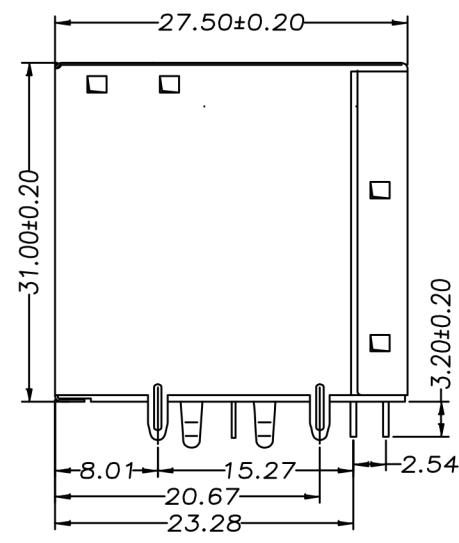
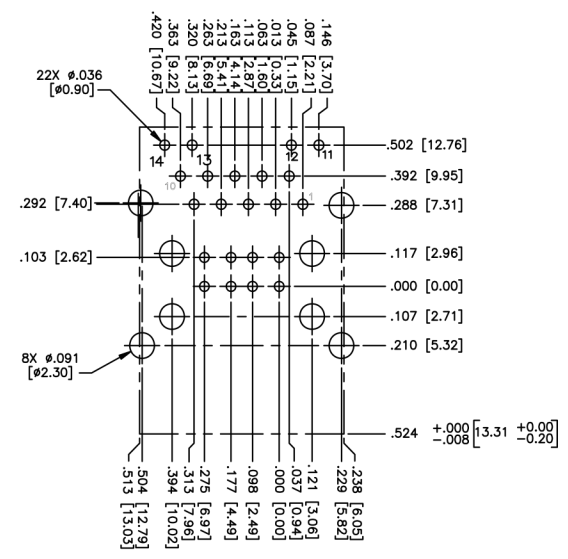


CATEGORY	DESCRIPTION	P/N #
CONNECTOR	RJ45+USB 10/100Mbps	MU012-BX31-MRL3T14WL

REV.	ECN NO	DESCRIPTION	REVISED	DATE
R01		New Release	WZ	2010.5.23



SUGGESTED PCB LAYOUT (TOP VIEW)



Feature:

- Complies with IEEE standards and all 10/100 Ethernet specifications including 350uH with 8mA DC bias
- Contact: Phosphor Bronze, 6u-inch gold flashed unless specified
- Housing: Thermoplastic PBT+30%GF UL94V0 rated
- Operating temperature: -30°C to +85°C
- Storage temperature: -40°C to +100°C
- Single port shielded RJ-45 connector with dual USBs

PART NO.:
MU012-BX31-MRSL5T3

Material & Plating

Table 1	X	Terminal Plating
	0	Gold Flash
	1	Au 3u" Plating
	2	Au 6u" Plating
	3	Au 15u" Plating
	4	Au 30u" Plating

 **贵州省合曜电子科技有限公司**
GuiZhouSheng HeYao Electronic Technology Co.,Ltd

UNLESS OTHERWISE SPECIFIED TOLERANCES	SCALE: 1/1	UNIT: mm	DWG.NO:	
	SIZE: A3	PAGE: 1 OF 2	REV: R03	
DECIMALS: X :±0.5 X.X :±0.3 X.XX :±0.2	ANGLES: X :±2° X.X :±1°	APPROVED BY TONY	CHECKED BY WZ	PREPARED BY WZ
CUSTOMER COPY				