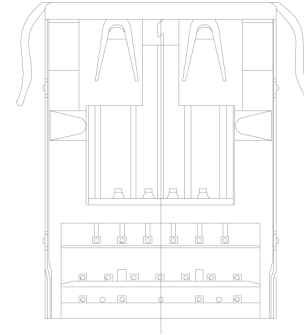
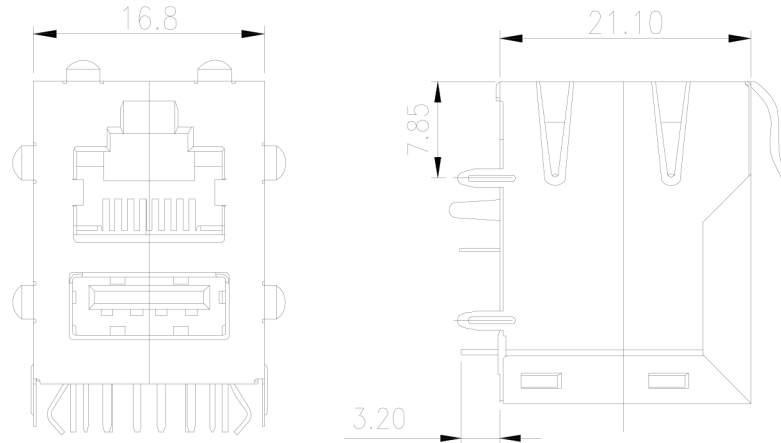


CATEGORY	DESCRIPTION	P/N #
CONNECTOR	RJ45 Over USB	MU64R-B121-RS1

REV.	ECN NO	DESCRIPTION	REVISED	DATE
A1		新訂圖面	WZ	2009.07.25



NOTES:

ELECTRICAL:

- VOLTAGE RATING : 125VAC RMS
- CURRENT RATING : 1.5 AMP
- CONTACT RESISTANCE : 50 MILLIOHMS MAX
- INSULATION RESISTANCE : 500 MEGOHMS MIN @500 VDC
- DIELECTRIC STRENGTH : 1000 VAC RMS 50HZ.1MN

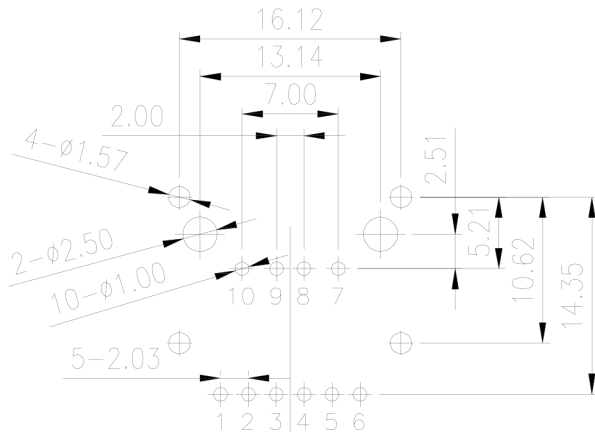
MECHANICAL:

- HOUSING MATERIAL : GLASS FILLED POLTER(UL94V-0)
- CONTACT MATERIAL : PHOSPHOR BRONZE T=0.46MM
- PLATING : GOLD PLATION OVER NICKEL
- OPERATION LIFT : 750 CYCLES MIN
- PCB RETENTION PRE-SOLDER :1 LBMIN
- PCB RETENTION POST-SOLDER:10 LBMIN

ENVIRONMENTAL:

- STORAGE : -40°C TO +85°C
- OPERATION : 0°C TO +70°C
- WAVE SOLDER TEMPERTURE:230~250°C(5~10SECONDS)

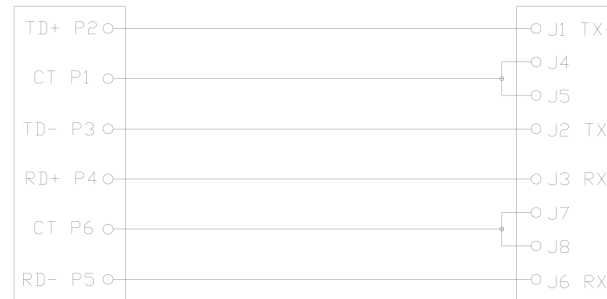
MATES WITH MODULAR PLUG CONFORMING TO FCC PART68 SUBPART F



Suggested PCB Layout(Component side view)

CONNECTOR SOLDER SIDE

RJ45 CONTACT SID



贵州省合曜电子科技有限公司

GuiZhousheng HeYao Electronic Technology Co.,Ltd

UNLESS OTHERWISE SPECIFIED TOLERANCES	SCALE:1/1	UNIT: mm	DWG.NO: WI-061-234
	SIZE: A3	PAGE:1 OF 1	
DECIMALS: X :±0.5 X.X :±0.3 X.XX :±0.2	ANGLES: X :±1° X.X :±0.5°	APPROVED BY DICK	CHECKED BY XYJ
		PREPARED BY WZ	
CUSTOMER COPY			

No.	PART NAME	Q'TY	MATERIAL	PLATING & COLOR	Remark
4					