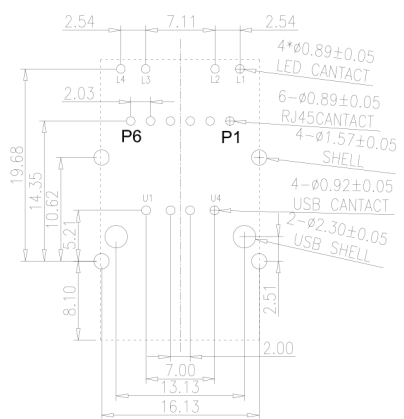
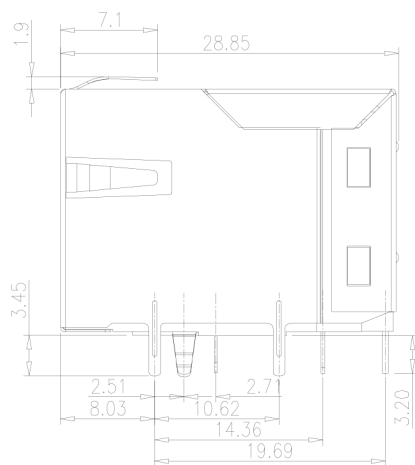
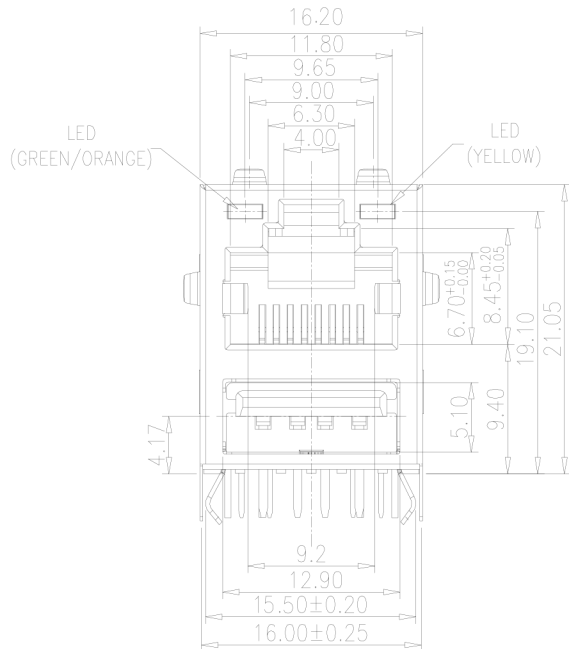
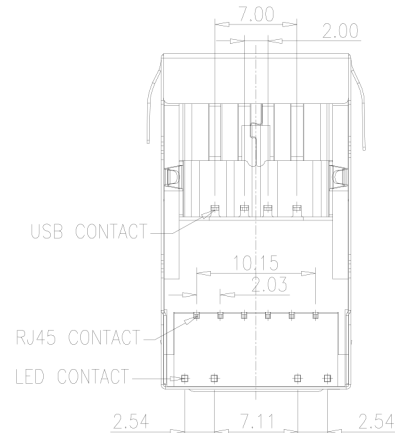


CATEGORY	DESCRIPTION	P/N #
CONNECTOR	RJ45 Over USB	MU64B-B121-YRSL4T1

REV.	ECN NO	DESCRIPTION	REVISED	DATE
A1		新訂圖面	WZ	2010.07.25

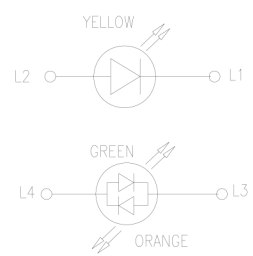


P.C.B RECOMMENDED HOLE LAYOUT SEEN FROM COMPONENT SIDE.
ALL CENTERLINE DIMENSIONS ARE BASIC

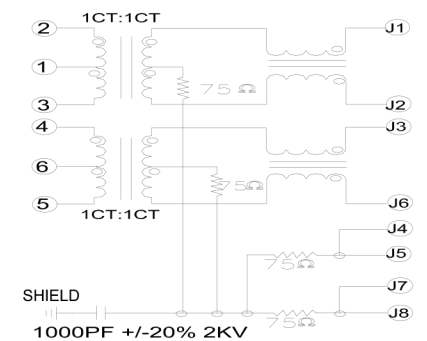


1. MATERIALS AND FINISH:
- HOUSING: HIGH THERMOPLASTIC. UL94V-0.
 - SHELL: STAINLESS, T=0.20mm, SOLDER TAIL AREA PLATED TIN.
 - RJ45 OUTPUT TERMINAL: COPPER ALLOY, T=0.30mm, GOLD FLASH PLATED IN CONTACT AREA, Tin 100u" Min PLATED IN SOLDER TAIL.
 - RJ45 INPUT TERMINAL: COPPER ALLOY, T=0.35mm, PLATED TIN OVER ALL
 - USB TERMINAL: COPPER ALLOY, T=0.25mm, GOLD FLASH PLATED IN CONTACT AREA, Tin 100u" Min PLATED IN SOLDER TAIL.

1. Turn Ratio (+/-2%):
TX=1CT :1CT RX=1CT :1CT
2. Inductance OCL:
350uH Min @100KHz/0.1V
8mA DC Bias
3. Insertion Loss:
-1.0dB Max @1.0-100MHz
4. Return Loss:
-20dB Min @1-10MHz
-16dB Min @10-30MHz
-12dB Min @30-60MHz
-10dB Min @60-100MHz
5. Cross talk:
-40dB Min @1-30MHz
-35dB Min @30-60MHz
-30dB Min @60-100MHz
6. Common Mode Rejection:
-30dB Min @1-50MHz
-20dB Min @50-150MHz
7. HIPOT TEST :1500V AC 1mA 6S
8. OPERATING TEMPERATURE RANGE: 0-70 °C



Schematics



贵州省合曜电子科技有限公司
GuiZhouSheng HeYao Electronic Technology Co.,Ltd

UNLESS OTHERWISE SPECIFIED TOLERANCES	SCALE: 1/1	UNIT: mm	DWG. NO: WI-061-234
	SIZE: A3	PAGE: 1 OF 1	REV: A03
DECIMALS: X :±0.5 X.X :±0.3 X.XX :±0.2	ANGLES: X :±1° X.X :±0.5°	APPROVED BY TONY	CHECKED BY BILL
		PREPARED BY KELLY	
CUSTOMER COPY			

No.	PART NAME	Q'TY	MATERIAL	PLATING & COLOR	Remark
4					