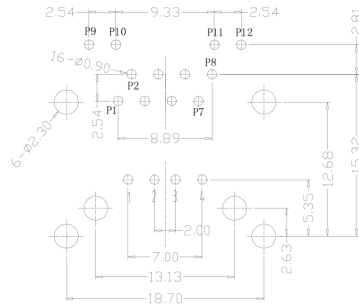
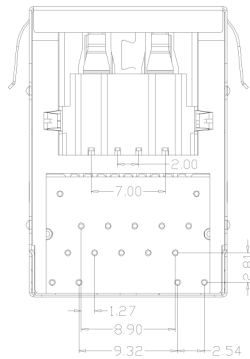
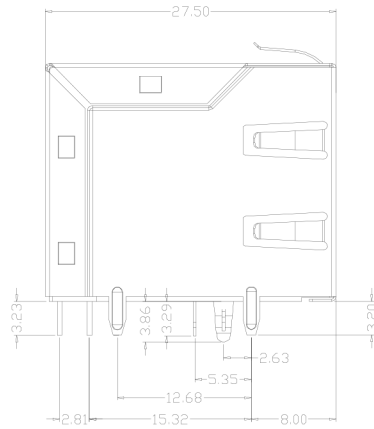
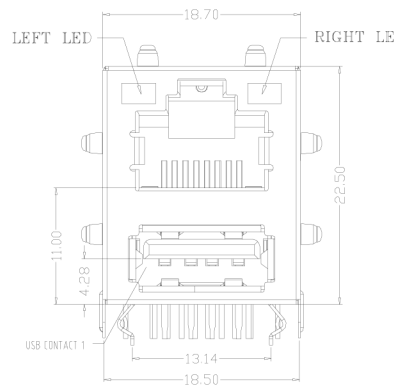
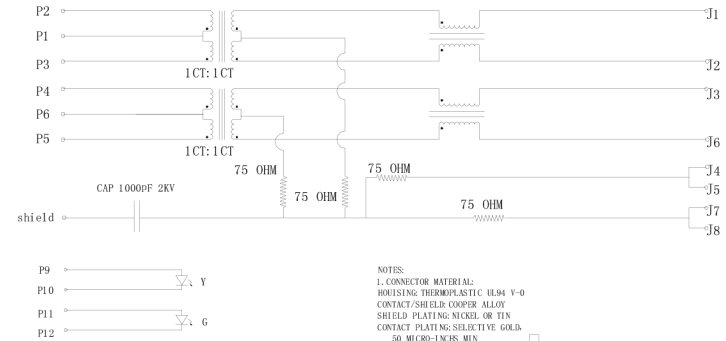


CATEGORY	DESCRIPTION	P/N #
CONNECTOR	Modular Jack+USB AF, 8P8C, R/A, T/H W/LED,10/100/Mbps FILTER	MU88-B121-RSL1T1



ALL CENTERLINE DIMENSIONS ARE BASIC  
P.C.B RECOMMENDED HOLE LAYOUT SEEN FROM COMPONENT SIDE.

REV.	ECN NO	DESCRIPTION	REVISED	DATE
R1		新訂圖面	WZ	2011.06.04



NOTES:  
1. CONNECTOR MATERIAL:  
HOUSING: THERMOPLASTIC UL94 V-0  
CONTACT/SHEILD: COPPER ALLOY  
SHEILD: PLATING: NICKEL OR TIN  
CONTACT PLATING: SELECTIVE GOLD  
50 MICRO-INCHES MIN  
30 MICRO-INCHES MIN  
15 MICRO-INCHES MIN  
6 MICRO-INCHES MIN  
3 MICRO-INCHES MIN  
2. USB MATERIAL:  
1IN CONTACT AREA  
TERMINAL: BRASS C2680-H RV140 T60, T=0.21 0.02MM  
SHELL 1N EMI: C2680 T=0.3 PLATEG NICKEL  
UP SHEILD: C2680 T=0.3 PLATEG NICKEL  
HOUSING: PBT UL94V-0 WHITE  
CONTACT (LONG): C2680 T=0.25 PLATEG NICKEL  
CONTACT (BRIEF): C2680 T=0.25 PLATEG NICKEL  
3. PIN NOT ELECTRICALLY CONNECTED HAVE OMITTED SEE ELECTRICAL DRAWING FOR OMITTED PINS  
4. TOLERANCES COMPLY WITH F.C.C DIMENSION REQUIREMENTS  
5. WAVE SOLDER COMPATIBLE-PREHEAT 125 C DEGREE/90SECS  
6. ALL TOLERANCES NOT OTHERWISE SPECIFIED TO BE 0.25mm

### ELECTRICAL SPECIFICATIONS:

- TURN RATIO: (P2~P3): (J1~J2) : 1:1 3%  
(P4~P5): (J3~J6) : 1:1 3%
- INDUCTANCE: (P2~P3) : 350uH MIN @ 0.1V, 100KHZ, 8mA DC BIAS  
(P4~P5) : 350uH MIN @ 0.1V, 100KHZ, 8mA DC BIAS
- LEAKAGE INDUCTANCE: P2~P3 (WITH J1 AND J2 SHORT) : 0.3uH MAX @ 1 MHZ  
P4~P5 (WITH J3 AND J6 SHORT) : 0.3uH MAX @ 1 MHZ
- INTERWINDING CAPACITANCE: (P2~P3): (J1~J2) : 35pF MAX @ 1MHZ  
(P4~P5): (J3~J6) : 35pF MAX @ 1MHZ
- DC RESISTANCE: (J1~J2): (J3~J6) : 1.2 OHMS MAX
- RETURN LOSS: 1MHZ TO 30MHZ : -18dB MIN  
30MHZ TO 80MHZ : -12dB MIN
- DIELECTRIC WITHSTAND: (P2~P3): (J1~J2) : 1500VAC  
(P4~P5): (J3~J6) : 1500VAC
- INSERTION LOSS: RS=RL=100OHM  
100KHZ TO 80MHZ : -1.1dB MAX
- CROSS TALK: 1MHZ TO 100MHZ : 35dB TYP
- COMMON TO COMMON MODE ATTENUATION: 30MHZ TO 100MHZ : 30dB TYP

G	USB AF	1	BRONZE,PBT+15%G.F	G/F,PBT,BLACK	
F	LED	1		Yellow	
E	LED	1		Green	
D	SHELL	1	BRONZE	Ni PALTING	
C	COVER	1	PBT+15%G.F UL94V-0	BLACK	
B	TERMINAL	8	PHOSPHOR BRONZE	GOLD FLASH PALTING	
A	HOUSING	1	PBT+15%G.F UL94V-0	BLACK	
NO.	PART NAME	Q'TY	MATERIAL	PLATING & COLOR	Remark



贵州省合曜电子科技有限公司  
GuiZhouSheng HeYao Electronic Technology Co.,Ltd

UNLESS OTHERWISE SPECIFIED TOLERANCES	SCALE: 1/1	UNIT: mm	DWG. NO: WI-061-XXX		
	SIZE: A3	PAGE: 1 OF 1	REV: R1		
DECIMALS: X : ±0.5 X.X : ±0.3 X.XX : ±0.2	ANGLES: X : ±2° X.X : ±1°	AUTHORIZED BY: DICK	APPROVED BY: XYJ	CHECKED BY: XSY	PREPARED BY: WZ
CUSTOMER COPY					