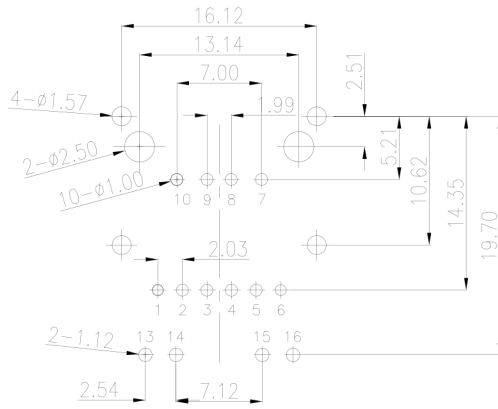
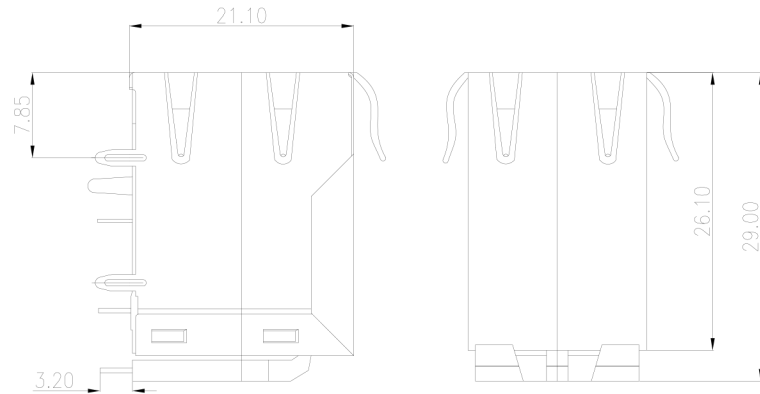
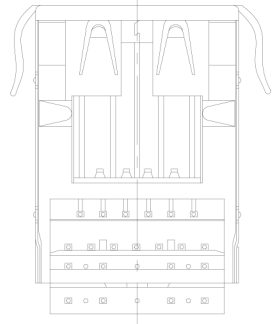
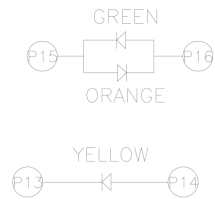
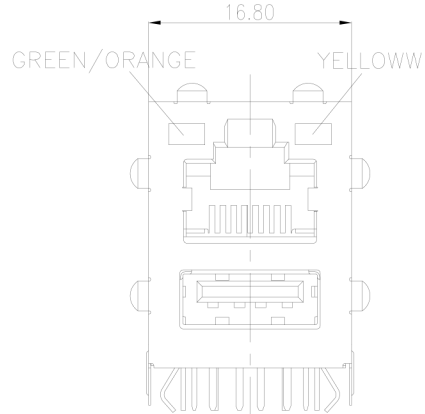


CATEGORY	DESCRIPTION	P/N #
CONNECTOR	Modular Jack+USB AF, 8P8C, R/A, T/H W/LED,10/100/Mbps FILTER	MU88-BX21-PRSL4T1



**SPECIFICATIONS:**

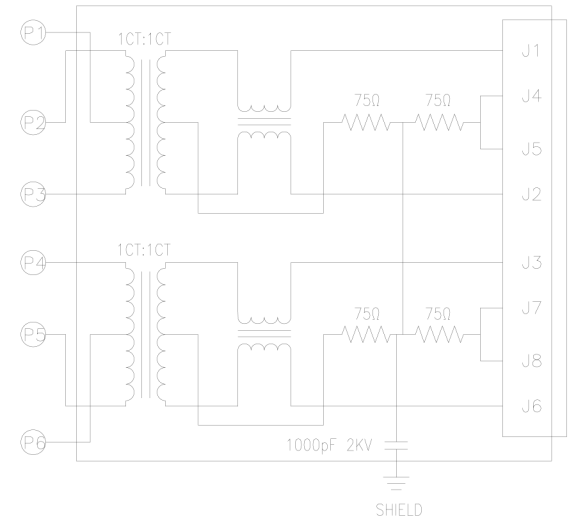
**1.RJ ELECTRICAL CHARACTERISTICS**

- 1-1:VOLTAGE:150V AC RMS
- 1-2:CURRENT RATING:1.5A
- 1-3:CONTACT RESISTANCE:30mΩ MAX.
- 1-4:INSULATION RESISTANCE:500MΩ MIN.
- 1-5:DIELECTRIC WITHSTANG VOLTAGE :1000V AC
- 1-6:OPERATURE TEMPERATURE:-40°C~80°C
- 1-7:DURABILITY:500 MATING CYCLES MIN.

**2.USB ELECTRICAL CHARACTERISTICS**

- 2-1:VOLTAGE:30V AC RMS
- 2-2:CURRENT RATING:1.5A
- 2-3:CONTACT RESISTANCE:30mΩMAX.
- 2-4:DIELECTRIC WITHSTANG VOLTAGE:500V AC
- 2-5:INSULATION RESISTANCE:1000MΩMIN.
- 2-6:OPERATURE TEMPERATURE:-55°C~85°C
- 2-7:DURABILITY:1500 MATING CYCLES

REV.	ECN NO	DESCRIPTION	REVISED	DATE
R1		新訂圖面	WZ	2011.05.04



**ELECTRICAL SPECIFICATION**

- Insertion loss: 1-100MHZ-1.0dB MAX
- Return Loss: 1-30MHZ-18.0dB MIN
- 30-60MHZ-16.0dB MIN
- 60-80MHZ-12.0dB MIN
- Cross Talk: 1-100MHZ-30.0dB MIN
- CMR:1-100MHZ -30.0db MIN
- Hi-Pot1500v AC 6S 1mA
- OCL: 350uH MIN @ 100KHZ 100mV 8mA DC

G	USB AF	1	BRONZE,PBT+15%G.F	G/F,PBT,BLACK	
F	LED	1		Yellow	
E	LED	1		Green	
D	SHELL	1	BRONZE	Ni PALTING	
C	COVER	1	PBT+15%G.F UL94V-0	BLACK	
B	TERMINAL	8	PHOSPHOR BRONZE	GOLD FLASH PALTING	
A	HOUSING	1	PBT+15%G.F UL94V-0	BLACK	
NO.	PART NAME	Q'TY	MATERIAL	PLATING & COLOR	Remark

**贵州省合曜电子科技有限公司**  
GuiZhouSheng HeYao Electronic Technology Co.,Ltd

UNLESS OTHERWISE SPECIFIED TOLERANCES	SCALE:1/1	UNIT: mm	DWG.NO: WI-061-XXX	
DECIMALS: X :±0.5 X.X :±0.3 X.XX :±0.2	ANGLES: X :±2° X.X :±1°	AUTHORIZED BY: DICK	APPROVED BY: XYJ	CHECKED BY: XSY
		PREPARED BY: WZ		
CUSTOMER COPY				