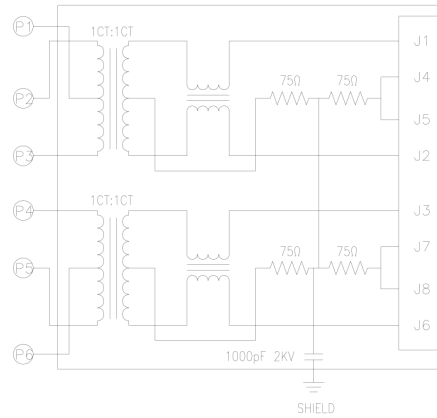
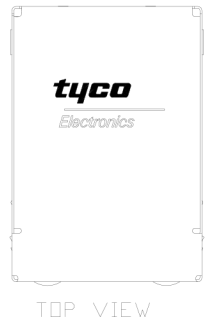
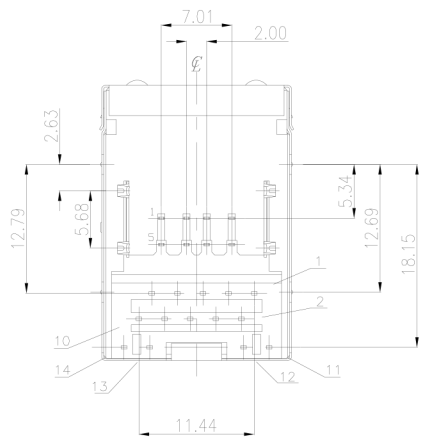
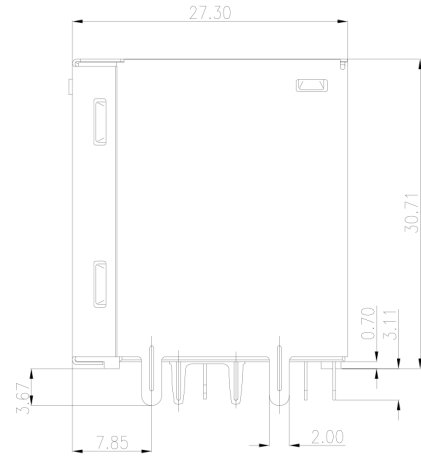
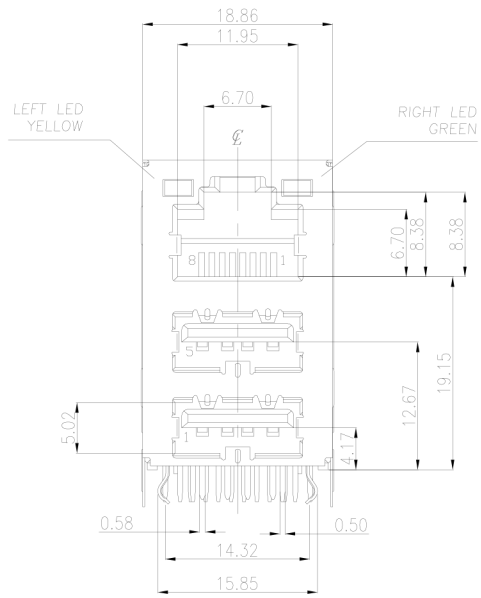
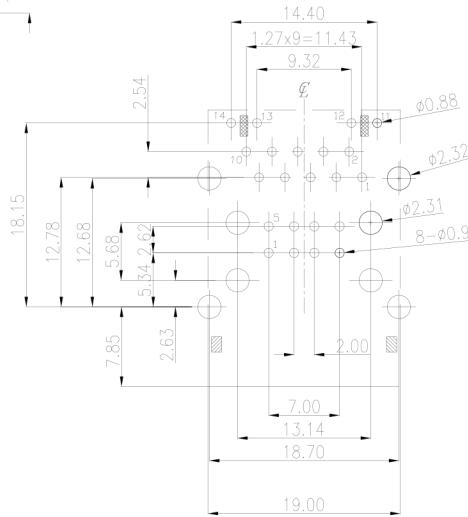


CATEGORY	DESCRIPTION	P/N #
CONNECTOR	Modular Jack+2USB AF, 8P8C, R/A, T/H W/LED,10/100/Mbps FILTER	MU88-BX31-TRSL1T1

REV.	ECN NO	DESCRIPTION	REVISED	DATE
R1		新訂圖面	Jim.xu	2011.05.04



ELECTRICAL SPECIFICATION
 Insertion loss: 1-100MHZ-1.0dB MAX
 Return Loss: 1-30MHZ-18.0dB MIN
 30-60MHZ-16.0dB MIN
 60-80MHZ-12.0dB MIN
 Cross Talk: 1-100MHZ-30.0dB MIN
 CMR:1-100MHZ -30.0db MIN
 Hi-Pot1500v AC 6S 1mA
 OCL: 350uH MIN @ 100KHZ 100mV 8mA DC



SPECIFICATIONS:
1.RJ ELECTRICAL CHARACTERISTICS
 1-1:VOLTAGE:150V AC RMS
 1-2:CURRENT RATING:1.5A
 1-3:CONTACT RESISTANCE:30mΩ MAX.
 1-4:INSULATION RESISTANCE:500MΩ MIN.
 1-5:DIELECTRIC WITHSTANG VOLTAGE :1000V AC
 1-6:OPERATURE TEMPERATURE:-40°C~80°C
 1-7:DURABILITY:500 MATING CYCLES MIN.
2.USB ELECTRICAL CHARACTERISTICS
 2-1:VOLTAGE:30V AC RMS
 2-2:CURRENT RATING:1.5A
 2-3:CONTACT RESISTANCE:30mΩMAX.
 2-4:DIELECTRIC WITHSTANG VOLTAGE:500V AC
 2-5:INSULATION RESISTANCE:1000MΩMIN.
 2-6:OPERATURE TEMPERATURE:-55°C~85°C
 2-7:DURABILITY:1500 MATING CYCLES

G	DOUBLE USB AF	1	BRONZE,PBT+15%G.F	G/F,PBT,BLACK	
F	LED	1		Yellow	
E	LED	1		Green	
D	SHELL	1	BRONZE	Ni PALTING	
C	COVER	1	PBT+15%G.F UL94V-0	BLACK	
B	TERMINAL	8	PHOSPHOR BRONZE	GOLD FLASH PALTING	
A	HOUSING	1	PBT+15%G.F UL94V-0	BLACK	
NO.	PART NAME	Q'TY	MATERIAL	PLATING & COLOR	Remark

UNLESS OTHERWISE SPECIFIED TOLERANCES		SCALE:1/1	UNIT: mm		DWG.NO:
		SIZE: A3	PAGE:1 OF 1	REV: R1	WI-061-XXX
DECIMALS:	ANGLES:	AUTHORIZED BY		APPROVED BY	CHECKED BY
X :±0.5	X :±2°	dick	xyj	xyj	PREPARED BY
X.X :±0.3	X.X :±1°	CUSTOMER COPY			
X.XX :±0.2					

贵州省合曜电子科技有限公司
 GuiZhouSheng HeYao Electronic Technology Co.,Ltd