

CATEGORY	DESCRIPTION	P/N #
CONNECTOR	RJ45 1x1port with transformer and LED W/O EMI,10/100BT	MJ6-BX11-RVL1T073

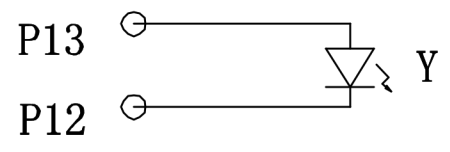
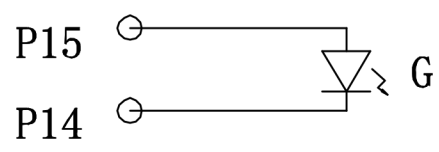
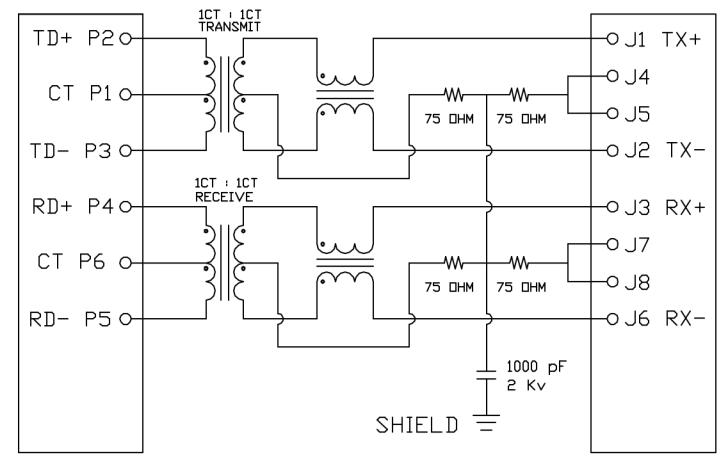
REV.	ECN NO	DESCRIPTION	REVISED	DATE
R01		New Release	WZ	2010.8.14

原料号为 : MJ11-BX11-RVT1L1  
 变更后料号为: MJ6-BX11-RVL1T073

ALL THE RAW MATERIALS MEET RoHS STANDARD

**ELECTRICAL SPECIFICATIONS @25 °C:**

- 1.0 TURN RATIO: (P2~P3):(J1 ~J2) :1:1; 3%  
 (P4~P5):(J3~J6) :1:1; 3%
- 2.0 INDUCTANCE: (P2~P3) AND (P4~P5) 350uH MIN @0.1V,100KHZ,8mA DC BIAS
- 3.0 LEAKAGE INDUCTANCE: P2~P3(WITH J1 AND J2 SHORT) :0.3uH MAX @1MHZ  
 P4~P5(WITH J3 AND J6 SHOR RT) :0.3uH MAX @1MHZ
- 4.0 INTERWINDING CAPACITANCE: (P2~P3):(J1~J2) :30pF MAX @ 1MHZ  
 (P4~P5):(J3~J6) :30pF MAX @ 1MHZ
- 5.0 DC RESISTANCE: (J1~J2):(J3~J6): 1.2 OHMS MAX
- 6.0 RETURN LOSS:1MHZ TO 30MHZ :-18dB MIN  
 30MHZ TO 60MHZ :-(18-20log(f/30))dB MIN (WHERE f IS IN MHZ)  
 60MHZ TO 80MHZ :-12dB MIN
- 7.0 DIELECTRIC WITHSTAND: (P2~P3):(J1~J2) :1500VAC OR 2250VDC  
 (P4~P5):(J3~J6) :1500VAC OR 2250VDC
- 8.0 INSERTION LOSS: 100KHZ TO 100MHZ :-1.2dB MAX
- 9.0 CROSS TALK: 1MHZ TO 100MHZ :-35dB TYP
- 10.0 COMMON TO COMMON MODE ATTENUATION: 30MHZ TO 100MHZ :-30dB TYP



**贵州省合曜电子科技有限公司**  
 GuiZhouSheng HeYao Electronic Technology Co.,Ltd

UNLESS OTHERWISE SPECIFIED TOLERANCES	SCALE:1/1	UNIT: mm		DWG.NO:
	SIZE: A3	PAGE:1 OF 1	REV:R01	
DECIMALS: X :±0.5 X.X :±0.3 X.XX :±0.2	ANGLES: X :±2° X.X :±1°	APPROVED BY TONY	CHECKED BY WZ	PREPARED BY WZ
<b>CUSTOMER COPY</b>				