

CATEGORY	DESCRIPTION	P/N #
CONNECTOR	RJ45 1x1port with transformer and LED W/O EMI,10/100BT	MJ6-BX11-RVL1T073

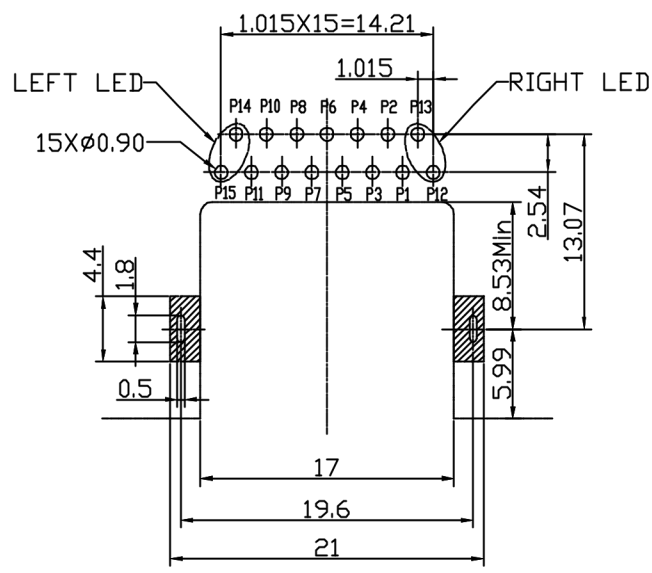
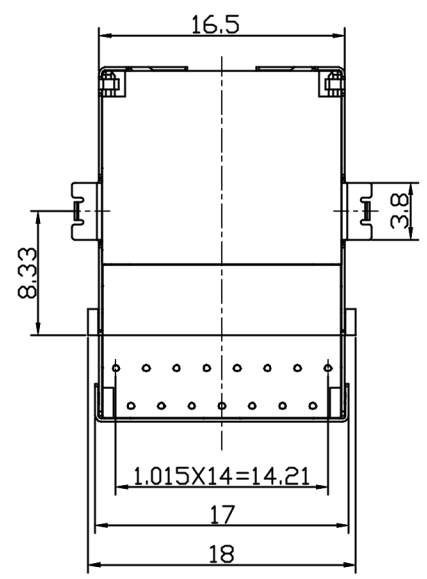
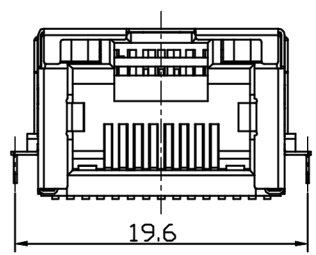
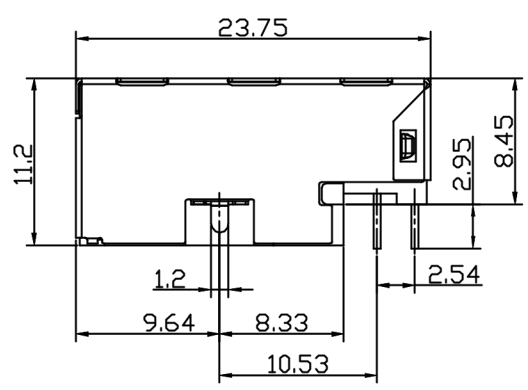
原料号为 : MJ11-BX11-RVT1L1
变更后料号为: MJ6-BX11-RVL1T073

REV.	ECN NO	DESCRIPTION	REVISED	DATE
R01		New Release	WZ	2010.5.14

MECHANIC SPE CIFICATIONS:

NOTES:

- CONNECTOR MATERIAL:
HOUSING: THERMOPLASTIC UL94 V-0
CONTACT/SHIELD: COOPER ALLOY
SHIELD PLATING :NICKEL OR TIN
CONTACT PLATING: SELECTIVE GOLD,
50 MICRO-INCHS MIN
30 MICRO-INCHS MIN
15 MICRO-INCHS MIN
6 MICRO -INCHS MIN
3 MICRO -INCHS MIN
IN CONTACT AREA
- PIN NOT ELECTRICALLY CO NNECTED MAYBE OMITTED SEE ELECTRICAL DRAWING FOR OMITTED PINS.
- RJ45 CAVITIES CONFORM TO FCC RULES AND REGULATION PART SUBPART F.
- THE PART IS RECOMMENDED FOR WAVE SOLDERING PROCESS PEA 68 SOLDERING TEMPERATURE IS 260< C MAX,10 SECS MAXK
- OPERATING TEMPERATURE T=0°C TO +70° C.
- STORAGE TEMPERATURE T=-25°C TO +85° C.
- ALL TOLERANCES NOT OTHERWISE SPECIFIED TO BE ± 0.25mm.



RECOMMENDED PCB LAYOUT (TOP VIEW)

T=1.60 TOLERANCES: ; 0.05

LED SPECIFICATION			
STANDARD LED	WAVELENGTH	Forward V (max)	TYP
GREEN	565nm	2.4V	2.2V
YELLOW	590nm	2.5V	2.1V

*WITH A FORWARD CURRENT OF 20mA

PART NO.:

MJ6-BX11-RVL1T073

Material & Plating

Table 1	X	Terminal Plating
	1	Au 3u" Plating
	2	Au 6u" Plating
	3	Au 15u" Plating



贵州省合曜电子科技有限公司
GuiZhouSheng HeYao Electronic Technology Co.,Ltd

UNLESS OTHERWISE SPECIFIED TOLERANCES	SCALE:1/1	UNIT: mm		DWG.NO:
	SIZE: A3	PAGE:1 OF 1	REV:R01	
DECIMALS: X :±0.5 X.X :±0.3 X.XX :±0.2	ANGLES: X :±2° X.X :±1°	APPROVED BY TONY	CHECKED BY WZ	PREPARED BY WZ
CUSTOMER COPY				