

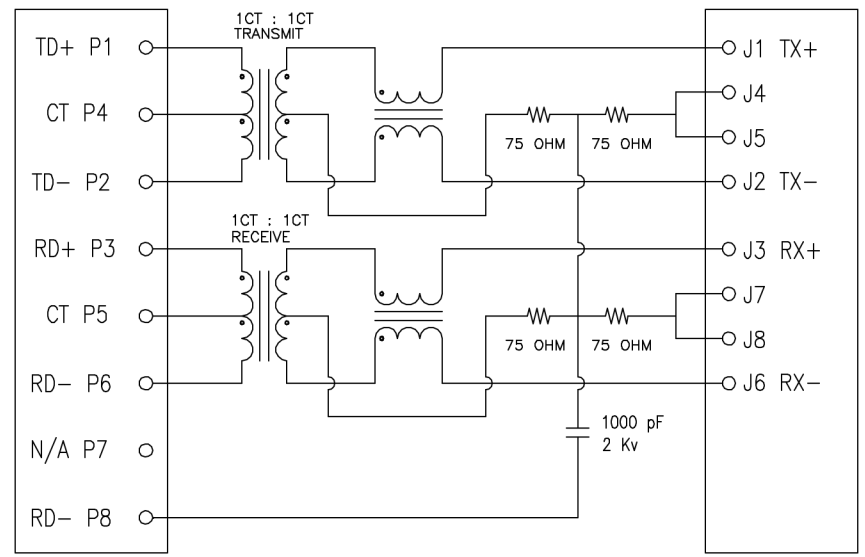
CATEGORY	DESCRIPTION	P/N #
CONNECTOR	RJ45 1x1port with transformer and LED W/O EMI,10/100BT	MJ6-BX11-HRS2T001

REV.	ECN NO	DESCRIPTION	REVISED	DATE
R01	_____	New Release	WZ	2010.09.10

原料号为 : MJ013-BX11-HRS2T1
 变更后料号为: MJ6-BX11-HRS2T001

ELECTRICAL SPECIFICATIONS:

- | | |
|---|---------------------------------------|
| 1.0 TURN RATIO: (P1~P2) : (J1~J2) | :1:1 @ 3% |
| (P3~P6) : (J3~J6) | :1:1 @ 3% |
| 2.0 INDUCTANCE: (P1~P2) | 350uH MIN @ 0.1V, 100KHZ, 8mA DC BIAS |
| (P3~P6) | 350uH MIN @ 0.1V, 100KHZ, 8mA DC BIAS |
| 3.0 LEAKAGE INDUCTANCE: P1~P2 (WITH J1 AND J2 SHORT) | :0.35uH MAX @1 MHZ |
| P3~P6 (WITH J3 AND J6 SHORT) | :0.35uH MAX @1 MHZ |
| 4.0 INTERWINDIND: CAPACITANCE: (P1~P2) : (J1~J2) | :35pF MAX @ 1MHZ |
| (P3~P6) : (J3~J6) | :35pF MAX @ 1MHZ |
| 5.0 DC RESISTANCE: (J1~J2) : (J3~J6) | :1.2 OHMS MAX |
| 6.0 RETURN LOSS: 1MHZ TO 30MHZ | :-18dB MIN |
| 30MHZ TO 80MHZ | :-12dB MIN |
| 7.0 DIELECTRIC WITHSTAND: (P1~P2) : (J1~J2) | :1500VAC |
| (P3~P6) : (J3~J6) | :1500VAC |
| 8.0 INSERTION LOSS: RS=RL=1000HM | |
| 100KHZ TO 80MHZ | :-1.2dB MAX |
| 9.0 CROSS TALK: 1MHZ TO 100MHZ | -33dB TYP |
| 10.0 COMMON TO COMMON MODE ATTENUATION: 30MHZ TO 100MHZ | :-35dB TYP |



Connector 贵州省合曜电子科技有限公司
 GuiZhouSheng HeYao Electronic Technology Co.,Ltd

UNLESS OTHERWISE SPECIFIED TOLERANCES	SCALE:1/1	UNIT: mm	DWG.NO:
	SIZE: A3	PAGE:2 OF 2	
DECIMALS: X :±0.5 X.X :±0.3 X.XX :±0.2	ANGLES: X :±2° X.X :±1°	APPROVED BY TONY	CHECKED BY WZ
		PREPARED BY WZ	
CUSTOMER COPY			