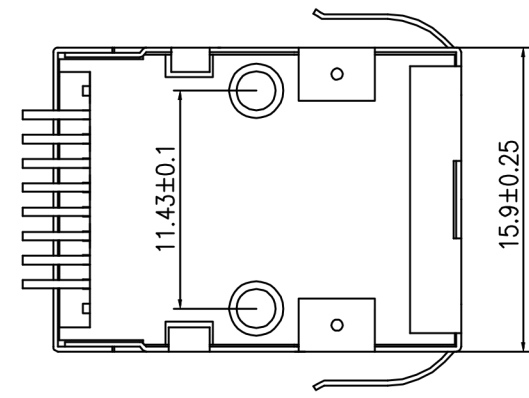
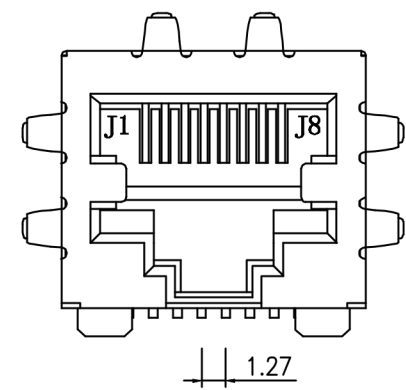


CATEGORY	DESCRIPTION	P/N #
CONNECTOR	RJ45 1x1port with transformer and LED W/O EMI,10/100BT	MJ6-BX11-HRS2T001

原料号为 : MJ013-BX11-HRS2T1
变更后料号为: MJ6-BX11-HRS2T001

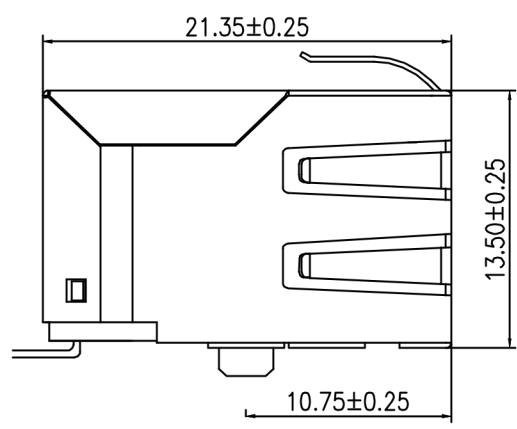
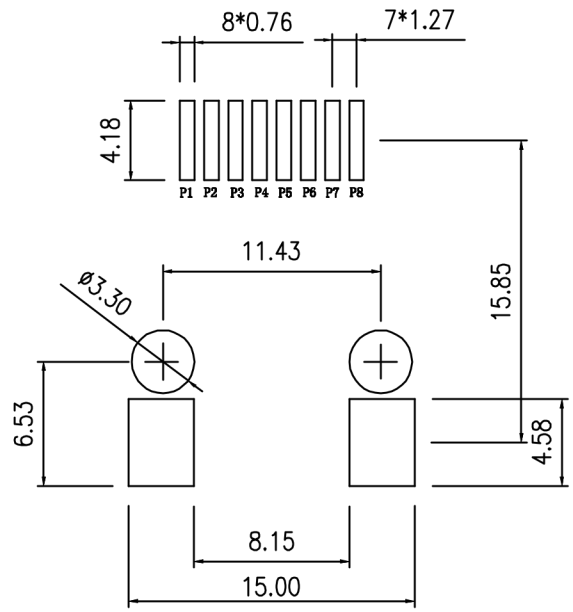
REV.	ECN NO	DESCRIPTION	REVISED	DATE
R01		New Release	WZ	2010.09.10

MECHANIC SPECIFICATIONS:



NOTES:
 1. CONNECTOR MATERIAL:
 HOUSING: THERMOPLASTIC UL94 V-0
 CONTACT/SHIELD: COOPER ALLOY
 SHIELD PLATING :NICKEL OR TIN
 CONTACT PLATING: SELECTIVE GOLD,
 50 MICRO-INCHS MIN
 30 MICRO-INCHS MIN
 15 MICRO-INCHS MIN
 6 MICRO-INCHS MIN
 3 MICRO-INCHS MIN
 IN CONTACT AREA

- PIN NOT ELECTRICALLY CONNECTED MAYBE OMITTED SEE ELECTRICAL DRAWING FOR OMITTED PINS
- TOLERANCES COMPLY WITH F. C. C DIMENSION REQUIREMENTS
- RoHS Peak wave solder temperature rating 260D
- ALL TOLERANCES NOT OTHERWISE SPECIFIED TO BE @ 0.25mm.



PART NO.:
MJ6-BX11-HRS2T001

Material & Plating

Table 1	X	Terminal Plating
1	Au	3u" Plating
2	Au	6u" Plating
3	Au	15u" Plating

P. C. B RECOMMENDED HOLE LAYOUT SEEN FROM COMPONENT SIDE.
ALL CENTERLINE DIMENSIONS ARE BASIC

UNLESS OTHERWISE SPECIFIED TOLERANCES	SCALE: 1/1	UNIT: mm		DWG.NO:
	SIZE: A3	PAGE: 1 OF 2	REV: R01	
DECIMALS: X : ±0.5 X.X : ±0.3 X.XX : ±0.2	ANGLES: X : ±2° X.X : ±1°	APPROVED BY TONY	CHECKED BY WZ	PREPARED BY WZ
CUSTOMER COPY				

贵州省合曜电子科技有限公司
GuiZhouSheng HeYao Electronic Technology Co., Ltd