

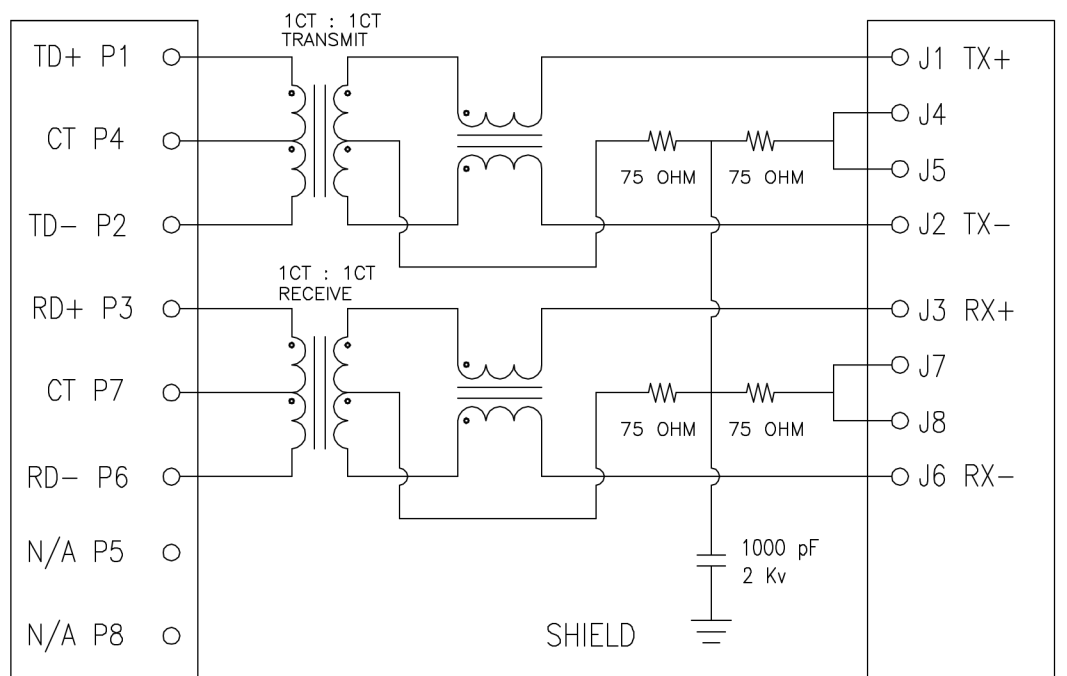
CATEGORY	DESCRIPTION	P/N #
CONNECTOR	RJ45 1x1port with transformer and LED W/O EMI,10/100BT	MJ6-BX11-HRS1T008

REV.	ECN NO	DESCRIPTION	REVISED	DATE
R01		New Release	WZ	2010.08.14

原料号为 : MJ013-BX11-HRS1T2  
 变更后料号为: MJ6-BX11-HRS1T008

### ELECTRICAL SPECIFICATIONS:

- |   |                                       |
|---|---------------------------------------|
| 1.0 TURN RATIO: (P1~P2) : (J1~J2)                       | :1:1 @ 3%                             |
| (P3~P6) : (J3~J6)                                       | :1:1 @ 3%                             |
| 2.0 INDUCTANCE: (P1~P2)                                 | 350uH MIN @ 0.1V, 100KHZ, 8mA DC BIAS |
| (P3~P6)   | 350uH MIN @ 0.1V, 100KHZ, 8mA DC BIAS |
| 3.0 LEAKAGE INDUCTANCE: P1~P2 (WITH J1 AND J2 SHORT)    | :0.35uH MAX @1 MHZ                    |
| P3~P6 (WITH J3 AND J6 SHORT)                            | :0.35uH MAX @1 MHZ                    |
| 4.0 INTERWINDING CAPACITANCE: (P1~P2) : (J1~J2)         | :35pF MAX @ 1MHZ                      |
| (P3~P6) : (J3~J6)                                       | :35pF MAX @ 1MHZ                      |
| 5.0 DC RESISTANCE: (J1~J2) : (J3~J6)                    | :1.2 OHMS MAX                         |
| 6.0 RETURN LOSS: 1MHZ TO 30MHZ                          | :-18dB MIN                            |
| 30MHZ TO 80MHZ  | :-12dB MIN                            |
| 7.0 DIELECTRIC WITHSTAND: (P1~P2) : (J1~J2)             | :1500VAC                              |
| (P3~P6) : (J3~J6)                                       | :1500VAC                              |
| 8.0 INSERTION LOSS: RS=RL=1000HM                        |                                       |
| 100KHZ TO 80MHZ   | :-1.2dB MAX                           |
| 9.0 CROSS TALK: 1MHZ TO 100MHZ                          | -33dB TYP                             |
| 10.0 COMMON TO COMMON MODE ATTENUATION: 30MHZ TO 100MHZ | :-35dB TYP                            |



**贵州省合曜电子科技有限公司**  
 GuiZhouSheng HeYao Electronic Technology Co.,Ltd

UNLESS OTHERWISE SPECIFIED TOLERANCES	SCALE: 1/1	UNIT: mm		DWG.NO:
	SIZE: A3	PAGE: 2 OF 2	REV: R01	
DECIMALS: X : ±0.5 X.X : ±0.3 X.XX : ±0.2	ANGLES: X : ±2° X.X : ±1°	APPROVED BY	CHECKED BY	PREPARED BY
		TONY	WZ	WZ
<b>CUSTOMER COPY</b>				