

CATEGORY	DESCRIPTION	P/N #
CONNECTOR	RJ45 1x1port with transformer and LED W/O EMI,SMT10/100BT	MJ6-B211-YRS2L1T050-1

原料号为 : MJ003-B211-YRS2L1T20
变更后料号为: MJ6-B211-YRS2L1T050-1

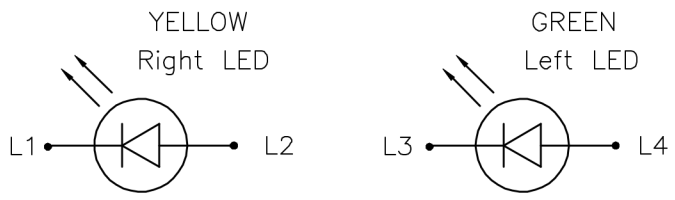
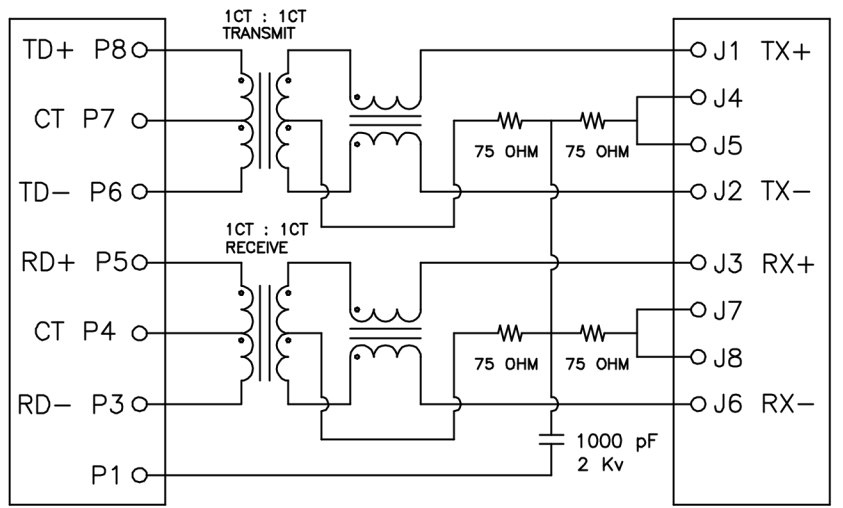
REV.	ECN NO	DESCRIPTION	REVISED	DATE
R01		New Release	Kelly	2012.05.21

ELECTRICAL CHARACTERISTICS :

TEST NOTES:(25°±5°C)

- TR:(100KHz,1V); 100%
PINS:(P8,P6):(J1,J2)=1:1±3%;(P5,P3):(J3,J6)=1:1±3%
- LX:(100KHz,100mV,8mA, DC Bias) 100%
PINS:(P8,P6),(P5,P3)=350uH MINIMUM
- DCR: 100%
PINS:(J1,J2),(J3,J6)=1.2Ω MAXIMUM
- HIPOT: 100%
PINS(P8,P6)TO(J1,J2),(P5,P3)TO(J3,J6)=1500VAC OR 2250VDC FOR 2 SECONDS
- INSERTION LOSS:
-1.0dB MAXIMUM AT 1MHz TO 100MHz;
- RETURN LOSS:
-20dB MINIMUM AT 1MHz TO 30MHz;
-15dB MINIMUM AT 30MHz TO 60MHz
-10dB MINIMUM AT 60MHz TO 80MHz
- CROSS TALK:
-30dB MINIMUM AT 1MHz TO 100MHz
- COMMON TO COMMON MODE REJECTION:
-30dB MINIMUM AT 1MHz TO 100MHz

CONNECTOR SOLDER SIDE RJ45 CONTACT SIDE



LED OPTION

贵州省合曜电子科技有限公司
GuiZhouSheng HeYao Electronic Technology Co.,Ltd

UNLESS OTHERWISE SPECIFIED TOLERANCES	SCALE:1/1	UNIT: mm	DWG.NO:
	SIZE: A3	PAGE:2 OF 2	
DECIMALS: X :±0.5 X.X :±0.3 X.XX :±0.2	ANGLES: X :±2° X.X :±1°	APPROVED BY Tony	CHECKED BY Bill
		PREPARED BY Kelly	
CUSTOMER COPY			