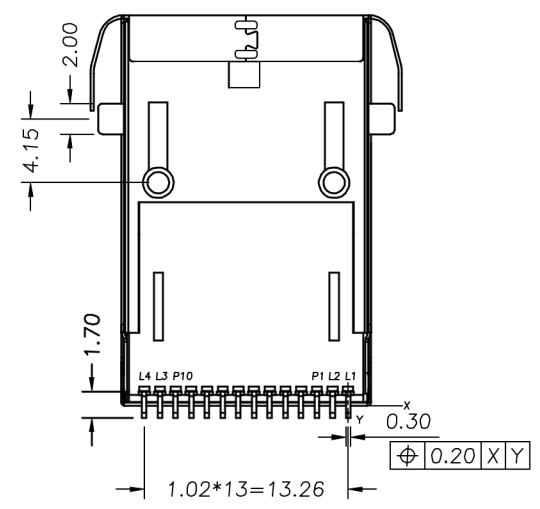
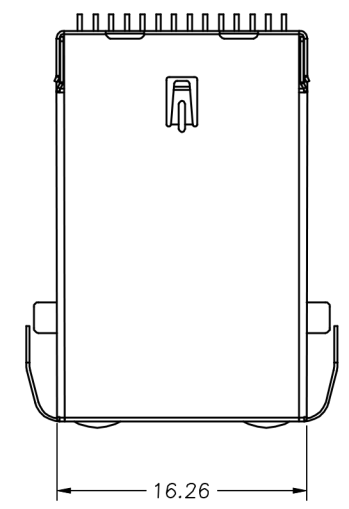
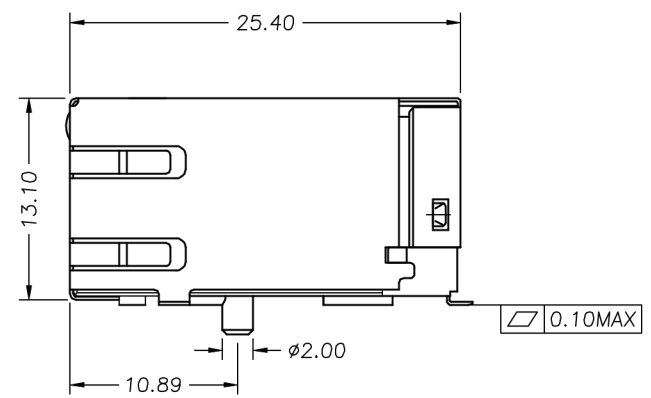
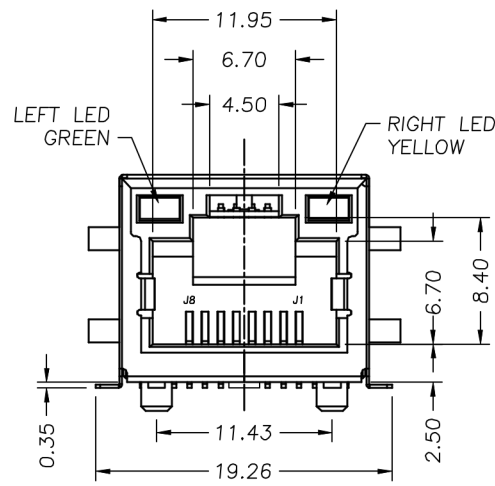


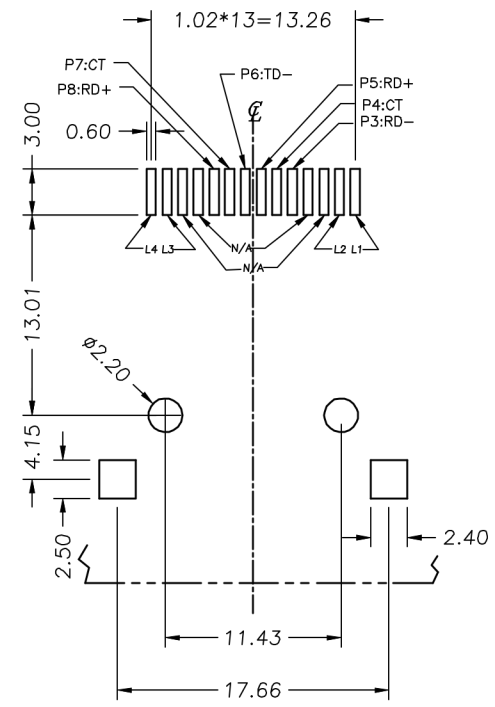
CATEGORY	DESCRIPTION	P/N #
CONNECTOR	RJ45 1x1port with transformer and LED W/O EMI,SMT10/100BT	MJ6-B211-YRS2L1T050-1

原料号为：MJ003-B211-YRS2L1T20  
变更后料号为： MJ6-B211-YRS2L1T050-1

REV.	ECN NO	DESCRIPTION	REVISED	DATE
R01		New Release	Kelly	2012.05.21



BOTTOM VIEW



RECOMMENDED PCB LAYOUT

MATERIALS:  
HOUSING: HIGH TEMPERATURE UL94V-0 BLACK  
CONTACTS: COPPER, 30u" NICKEL UNDERPLATE ON ALL AREA, 100u" TIN ON TERMINATION END, GOLD FLASH ON CONTACT AREA.  
SHIELD: COPPER  
NICKEL 50u" MIN PLATING.

 **贵州省合曜电子科技有限公司**  
GuiZhouSheng HeYao Electronic Technology Co.,Ltd

UNLESS OTHERWISE SPECIFIED TOLERANCES	SCALE:1/1	UNIT: mm	DWG.NO:	
	SIZE: A3	PAGE:1 OF 2	REV:R01	
DECIMALS: X :±0.5 X.X :±0.3 X.XX :±0.2	ANGLES: X :±2° X.X :±1°	APPROVED BY Tony	CHECKED BY Bill	PREPARED BY Kelly
<b>CUSTOMER COPY</b>				