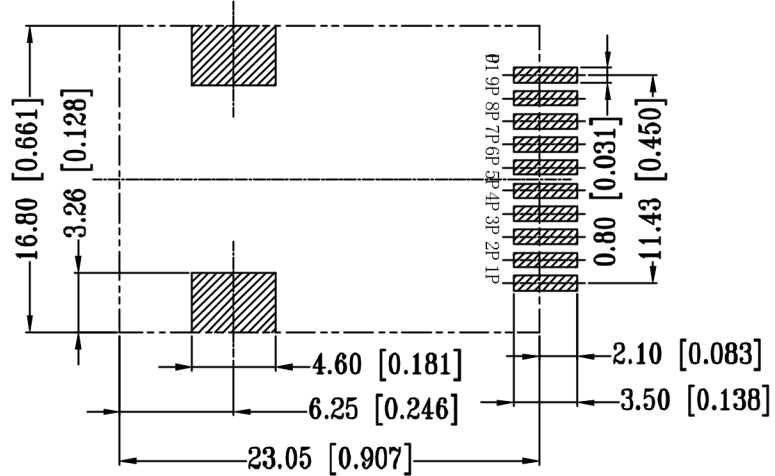
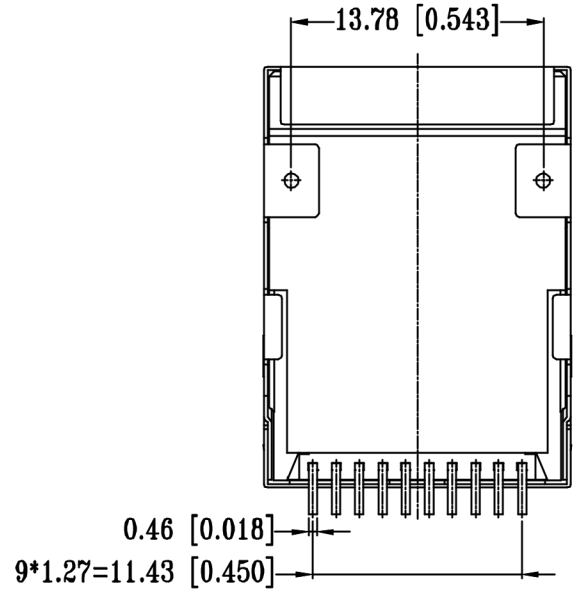
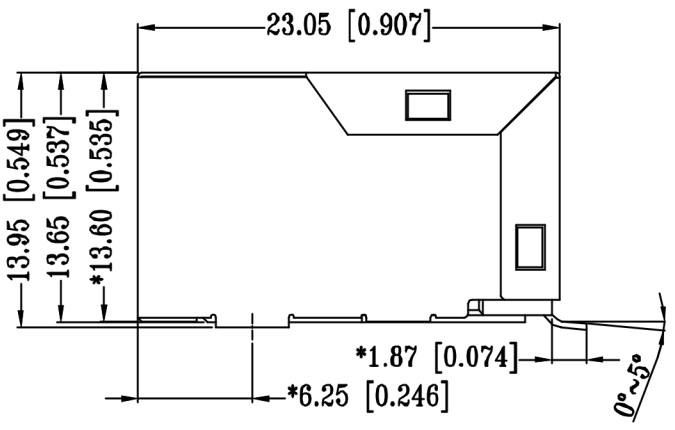
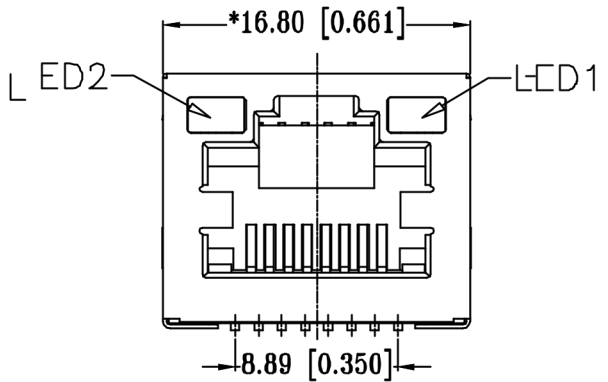


CATEGORY	DESCRIPTION	P/N #
CONNECTOR	RJ45 1x1port with transformer and LED W/O EMI,SMT10/100BT	MJ6-B211-RS2L2T81-1

REV.	ECN NO	DESCRIPTION	REVISED	DATE
R01		New Release	Kelly	2012.05.21



- CONNECTOR MATERIAL:
 HOUSING: LCP GREEN 369C UL94 V-0
 INSERTER: LCP GREEN 369C UL94 V-0
 SHIELD: Brass
 SHIELD PLATING: NICKEL
 CONTACT: COOPER ALLOY
 CONTACT PLATING: SELECTIVE GOLD, 6 MICRO-INCHS MIN IN CONTACT AREA
- PIN NOT ELECTRICALLY CONNECTED MAY BE OMITTED SEE ELECTRICAL DRAWING FOR OMITTED PINS
- RJ45 CAVITIES CONFORM TO FCC RULES AND REGULATION PART 68.
- THE PART IS RECOMMENDED FOR IR REFLOW PROCESS PEAK SOLDERING TEMPERATURE IS 265 C MAX, 40 SECS MAX
- OPERATING TEMPERATURE T=0 C TO +70 C.
- STORAGE TEMPERATURE T=-40 C TO +85 C.
- ALL CRITICAL DIMENSIONS WITH "*"

UNIT: mm / inch
 Tolerances: ±0.10 / 0.004

LED SPECIFICATION			
STANDARD LED	WAVELENGTH	Forward V(max)	TYP
GREEN	565nm	2.4V	2.2V
YEL LOW	590nm	2.5V	2.1V

*WITH A FORWARD CURRENT OF 20mA

UNLESS OTHERWISE SPECIFIED TOLERANCES	SCALE: 1/1	UNIT: mm	DWG.NO:
	SIZE: A3	PAGE: 1 OF 2	
DECIMALS: X : ±0.5 X.X : ±0.3 X.XX : ±0.2	ANGLES: X : ±2° X.X : ±1°	APPROVED BY Tony	CHECKED BY Bill
		PREPARED BY Kelly	
CUSTOMER COPY			

贵州省合曜电子科技有限公司
 GuiZhouSheng HeYao Electronic Technology Co., Ltd