

CATEGORY	DESCRIPTION	P/N #
CONNECTOR	Modular Jack 2x1PORTS, W/LED,100/1000/Mbps	MJ005-B221-RSL1T109

REV.	ECN NO	DESCRIPTION	REVISED	DATE
R1		新訂圖面	WZ	2011.05.04

### SPECIFICATIONS

**ELECTRICAL:**  
 CURRENT RATING: 1.5A  
 VOLTAGE RATING: 125V AC  
 INSULATION RESISTANCE: 500M $\Omega$  Mini  
 WITHSTAND VOLTAGE: AC 1500 V RMS 50Hz OR 60Hz 1 Min  
 CONTACT RESISTANCE: 20m $\Omega$  Max

**MECHANICAL:**  
 INSERTION FORCE: 2 CONTACTS----350g 4 CONTACTS----500g  
 6 CONTACTS----750g 8 CONTACTS----900g  
 10 CONTACTS----1050g  
 RETENTION STRENGTH: 7.7Kg BETWEEN JACK AND PLUG  
 DURABILITY: 750 MATING CYCLES Mini

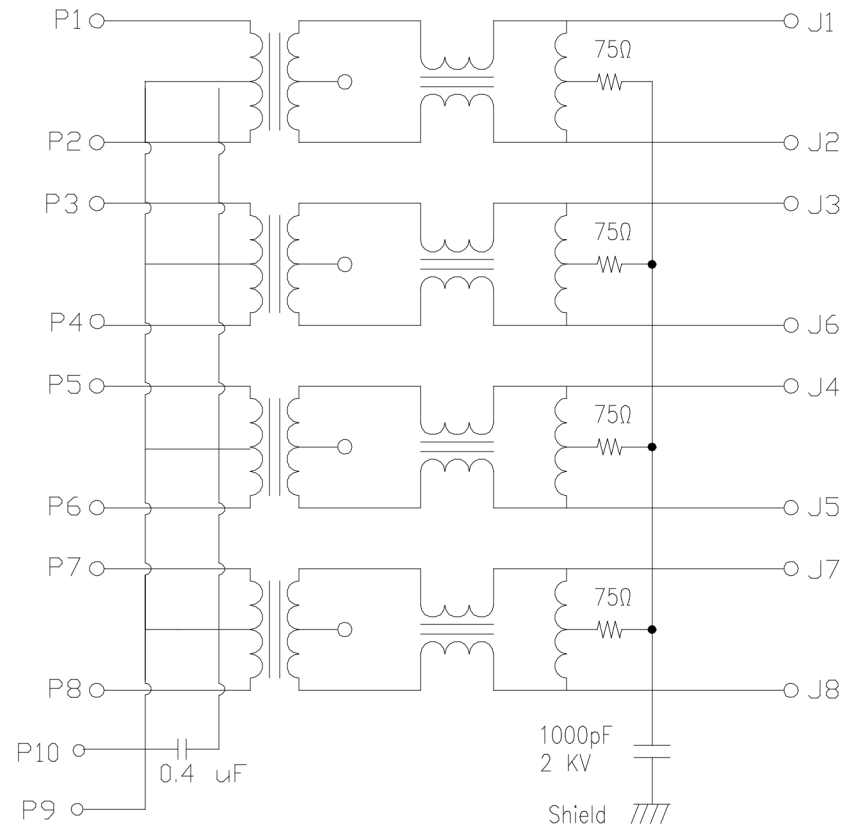
**HOUSING:** 1) GLASS FILLED PA66 (UL 94V-0)  
 2) GLASS FILLED PA46 (UL 94V-0)  
 3) GLASS FILLED PBT (UL 94V-0)

**MATERIAL:** SPRING WIRE: 1) 0.45mm DIA PHOSPHOR BRONZE GOLD PLATING OVER NICKEL  
 2) 0.35mm THICKNESS PHOSPHOR BRONZE ALLOY SELECTIVE GOLD PLATING OVER NICKEL  
 SHIELDING: 0.24mm THICKNESS COPPER ALLOY WITH TIN PLATED  
 GOLD PLATING: 3 $\mu$ ", 6 $\mu$ ", 15 $\mu$ ", 30 $\mu$ ", 50 $\mu$ "

WORKING TEMPERATURE: -40 $^{\circ}$ C~70 $^{\circ}$ C  
 TOLERANCES UNLESS OTHERWISE SPECIFIED : 0~10 $\pm$ 0.15. 10~20 $\pm$ 0.2. 20~40 $\pm$ 0.25. 40~70 $\pm$ 0.3. >70 $\pm$ 0.4

### ELECTRICAL SPECIFICATIONS AT 25 $^{\circ}$ C

Insertion Loss dB max	Return Loss dB min			Crosstalk(dB TYP)			Common Mode Rejection (dB TYP)		Hipot(vrms)
	1-30MHz	30- 60MHz	60- 80MHz	1-30MHz	30- 60MHz	60- 80MHz	1-50MHz	50-150MHz	
-1.0	-18	-16	-12	-40	-35	-30	-30	-20	1500



**贵州省合曜电子科技有限公司**  
 GuiZhousheng HeYao Electronic Technology Co.,Ltd

UNLESS OTHERWISE SPECIFIED TOLERANCES	SCALE:1/1	UNIT: mm	DWG.NO:		
	SIZE: A3	PAGE:2 OF 2	REV: R1	WI-061-XXX	
DECIMALS: X : $\pm$ 0.5 X.X : $\pm$ 0.3 X.XX : $\pm$ 0.2	ANGLES: X : $\pm$ 2 $^{\circ}$ X.X : $\pm$ 1 $^{\circ}$	AUTHORIZED BY TONY	APPROVED BY XYJ	CHECKED BY WZ	PREPARED BY wz
<b>CUSTOMER COPY</b>					

NO.