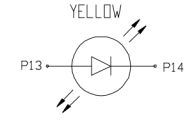
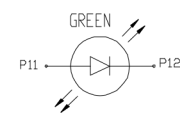
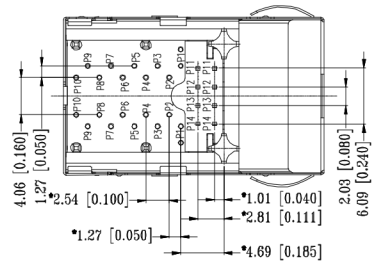
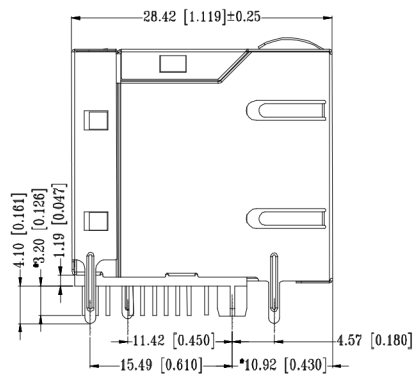
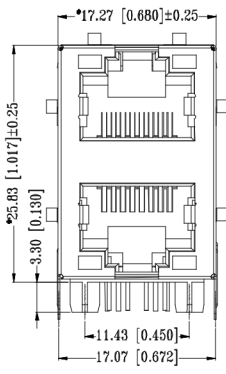
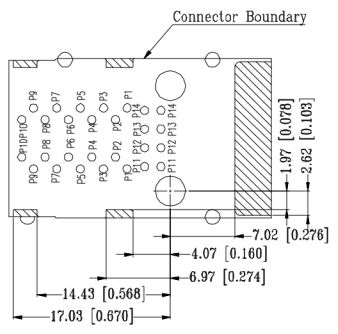


| CATEGORY | DESCRIPTION | P/N # |
|-----------|---|---------------------|
| CONNECTOR | Modular Jack 2x1PORTS, W/LED,100/1000/Mbps | MJ005-B221-RSL1T109 |

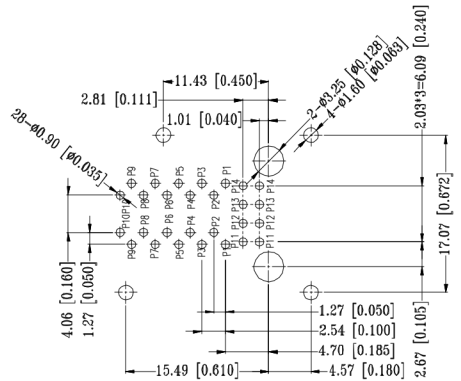
| REV. | ECN NO | DESCRIPTION | REVISED | DATE |
|------|--------|-------------|---------|------------|
| R1 | | 新訂圖面 | WZ | 2011.05.04 |



TOLERANCES UNLESS OTHERWISE SPECIFIED :
 0~10±0.15, 10~20±0.2, 20~40±0.25,
 40~70±0.3 ≥70±0.4



UNIT: mm / inch
 Tolerances: ±0.10 / 0.004



UNIT: mm / inch
 Tolerances: ±0.10 / 0.004

贵州省合曜电子科技有限公司
 GuiZhouSheng HeYao Electronic Technology Co.,Ltd

| | | | | | |
|---|-------------------------------|-----------------------|--------------------|------------------|-------------------|
| UNLESS OTHERWISE SPECIFIED TOLERANCES | SCALE: 1/1 | UNIT: mm | DWG.NO: WI-061-XXX | | |
| | SIZE: A3 | PAGE: 1 OF 2 | REV: R1 | | |
| DECIMALS: X :±0.5 X.X :±0.3 X.XX :±0.2 | ANGLES: X :±2° X.X :±1° | AUTHORIZED BY TONY | APPROVED BY XYJ | CHECKED BY WZ | PREPARED BY wz |
| CUSTOMER COPY | | | | | |