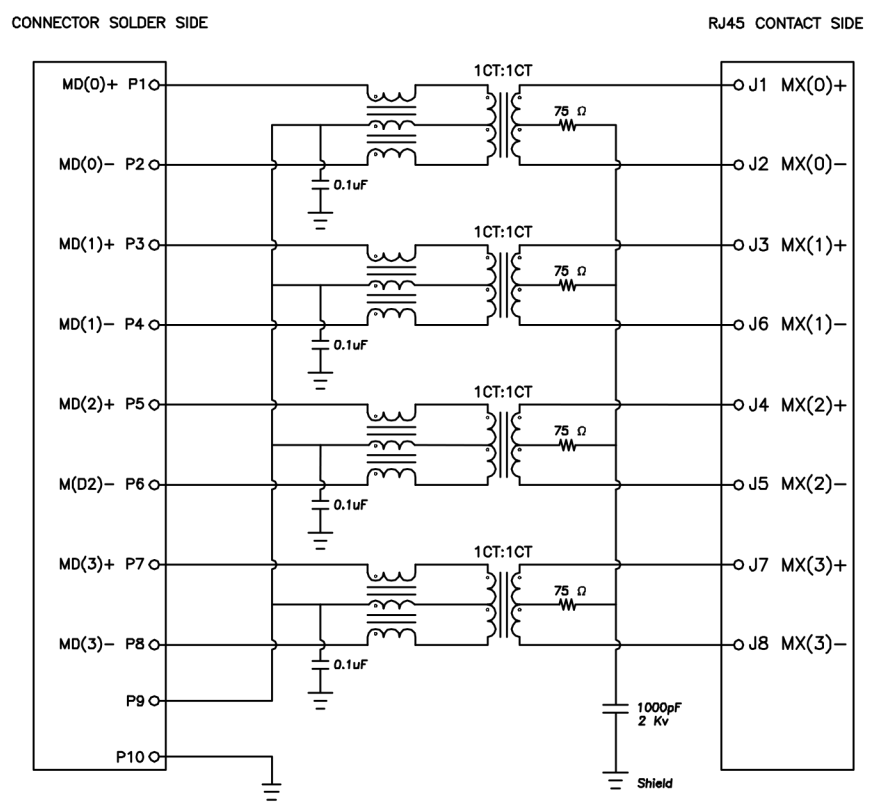


CATEGORY	DESCRIPTION	P/N #
CONNECTOR	RJ45 2X6 1000Mbps	MJ009-B226-RSL31T15

REV.	ECN NO	DESCRIPTION	REVISED	DATE
R01	—	New Release	Kelly	2009.3.22

4. SCHEMATIC:

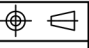


5. ELECTRICAL CHARACTERISTICS :

TEST NOTES:(25±5°C)

- TR:(100KHz,0.1V); 100%  
PINS:(P1,P2):(J1,J2)=1:1±3%;(P3,P4):(J3,J6)=1:1±3%  
PINS:(P5,P6):(J4,J5)=1:1±3%;(P7,P8):(J7,J8)=1:1±3%
- LX:(100KHz,100mV,8mA, DC Bias) 100%  
PINS:(P1,P2),(P3,P4),(P5,P6),(P7,P8)=350uH MINIMUM
- DCR: 100%  
PINS:(J1,J2),(J3,J6),(J4,J5),(J7,J8)=1.0 Ω MAXIMUM
- HIPOT: 100%  
PINS(P1,P2)TO(J1,J2),(P3,P4)TO(J3,J6)=1500VAC FOR 2 SECONDS  
PINS(P5,P6)TO(J4,J5),(P7,P8)TO(J7,J8)=1500VAC FOR 2 SECONDS
- INSERTION LOSS:  
-1.0dB MAXIMUM AT 1MHz TO 100MHz;
- RETURN LOSS:  
-20dB MINIMUM AT 1MHz TO 30MHz;  
-15dB MINIMUM AT 30MHz TO 60MHz  
-10dB MINIMUM AT 60MHz TO 80MHz
- CROSS TALK:  
-30dB MINIMUM AT 1MHz TO 100MHz
- COMMON TO COMMON MODE REJECTION:  
-30dB MINIMUM AT 1MHz TO 100MHz


**贵州省合曜电子科技有限公司**  
 GuiZhouSheng HeYao Electronic Technology Co.,Ltd

UNLESS OTHERWISE SPECIFIED TOLERANCES	SCALE:1/1	UNIT: mm	 DWG.NO: HL-TR-001
	SIZE: A3	PAGE:3 OF 3	
UNIT: mm .XX :±0.25 .XXX :±0.13	APPROVED BY Tony	CHECKED BY Bill	PREPARED BY Kelly
<b>CUSTOMER COPY</b>			