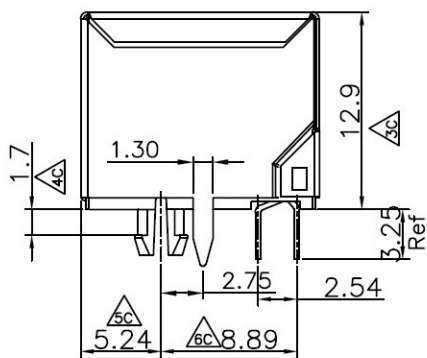
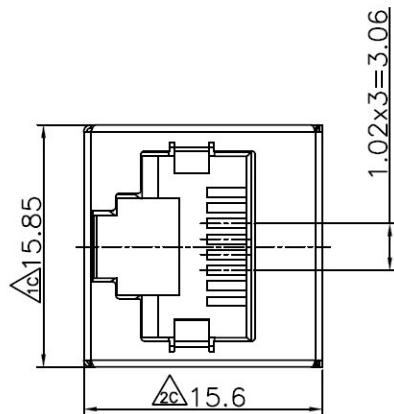


CATEGORY	DESCRIPTION	P/N #
CONNECTOR	Modular Jack, 8P4C, 1x1PORT	MJ84-BX11-JP4

REV.	ECN NO	DESCRIPTION	REVISED	DATE
A01		New Release	Kelly	2013.9.16

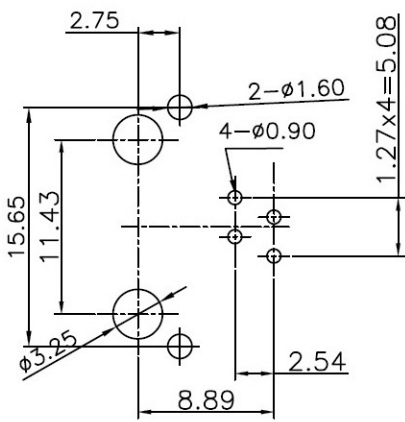
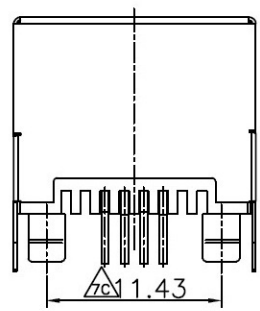


Electrical:
 1.Voltage Rating:125 Vac Rms.
 2.Current Rating:1.5 Amp.
 3.Contact Resistance:40 Milliohms Max.
 4.Insulation Resistance:1000 Megohms Min @500 Vdc.
 5.Dielectric Strength:1000 Vac Rms 60Hz, 1Min.

Mechanical:
 1.Operating:750 Cycles Min.

Environmental:
 1.Storage:-40°C To +85°C.
 2.Operation:-20°C To +75°C.

Mates With Modular Plug Conforming To FCC Part 68, Subpart F.



PCB LAYOUT/TOP VIEW

Part No:

MJ84-BX11-JP4

Material & Plating

Table 1	X	Terminal Plating
	0	Au 1u" Plating
	1	Au 3u" Plating
	2	Au 6u" Plating
	3	Au 15u" Plating
	4	Au 30u" Plating
	5	Au 50u" Plating

MATERIALS:

- PLASTIC HOUSING: ENGINEERING THERMOPLASTIC
FLAMMABILITY RATING UL 94V-0.
- CONTACTS: PHOSPHOR BRONZE
- PLATING: GOLD PLATING OVER NICKEL IN CONTACT.
TIN PLATING OVER NICKEL IN SOLDER AREA.
- SHIELDED: BRASS WITH NICKEL PLATED

 **贵州省合曜电子科技有限公司**
 Connector GuiZhouSheng HeYao Electronic Technology Co.,Ltd

UNLESS OTHERWISE SPECIFIED TOLERANCES	SCALE:1/1	UNIT: mm	DWG.NO: WI-061-751
	SIZE: A3	PAGE:1 OF 1	
DECIMALS: X :±0.5 X.X :±0.3 X.XX :±0.2	ANGLES: X :±2° X.X :±1°	APPROVED BY Tony	CHECKED BY Bill
		PREPARED BY Kelly	
CUSTOMER COPY			