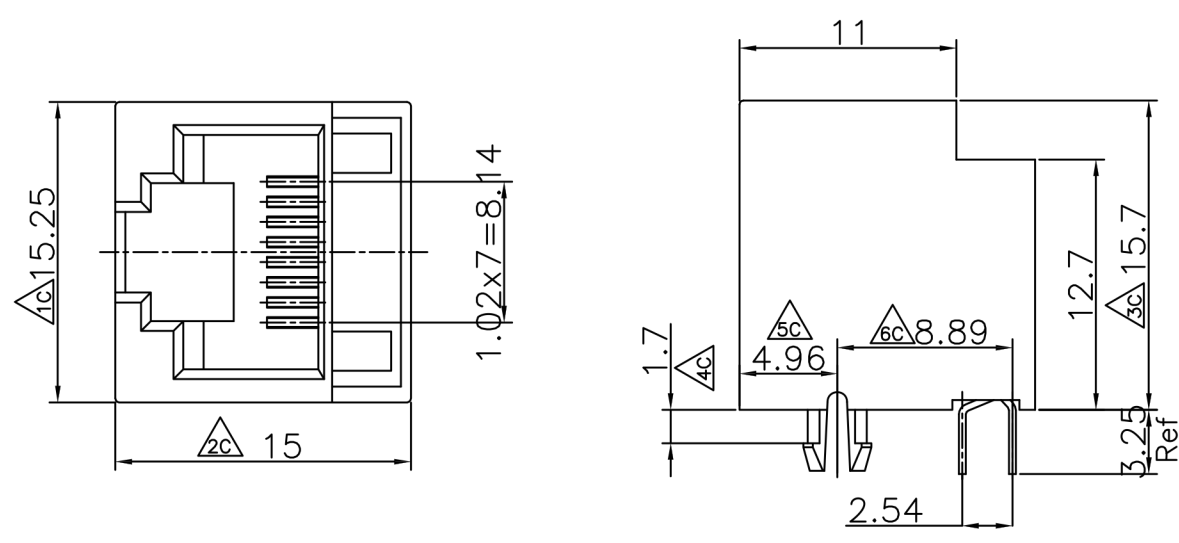
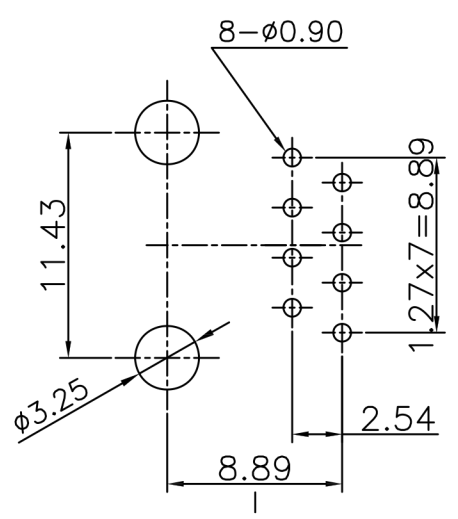
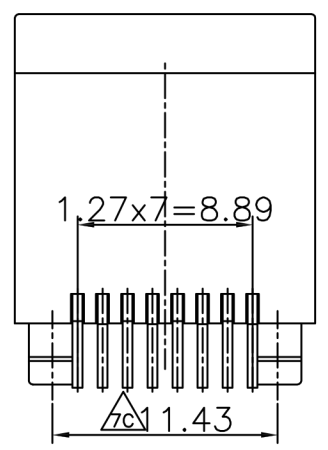


CATEGORY	DESCRIPTION	P/N #
CONNECTOR	Modular Jack, 8P8C, 1x1PORT	MJ88-BX11-JPN2

REV.	ECN NO	DESCRIPTION	REVISED	DATE
A01		New Release	Kelly	2010.09.27



- SPECIFICATIONS:**
1. Voltage: 150V AC RMS
  2. Current Rating: 1.5A
  3. Contact Resistance: 30mΩ MAX.
  4. Insulation Resistance: 500MΩ MIN.
  5. Dielectric Withstang Voltage :1000V AC
  6. Operature Temperature: -40°C~80°C
  7. Durability: 500 Mating Cycles MIN.



PCB LAYOUT/ TOP VIEW

Part No.: MJ88-BX11-JPN2  
 Material & Plating

Table 1

X	Terminal Plating
0	Au 1u" Plating
1	Au 3u" Plating
2	Au 6u" Plating
3	Au 15u" Plating
4	Au 30u" Plating
5	Au 50u" Plating

NO.	PART NAME	Q'TY	MATERIAL	PLATING & COLOR	Remark
b	Terminal	8	Phosphor Bronze	Terminal Plating	
a	Housing	1	PBT UL94V-0	See Color Scheme	

UNLESS OTHERWISE SPECIFIED TOLERANCES

DECIMALS: X :±0.5, X.X :±0.3, X.XX :±0.2  
 ANGLES: X :±2°, X.X :±1°

SCALE: 1/1 UNIT: mm DWG.NO: WI-061-751  
 SIZE: A3 PAGE: 1 OF 1 REV: A01

APPROVED BY: Tony CHECKED BY: Bill PREPARED BY: Kelly

**CUSTOMER COPY**

