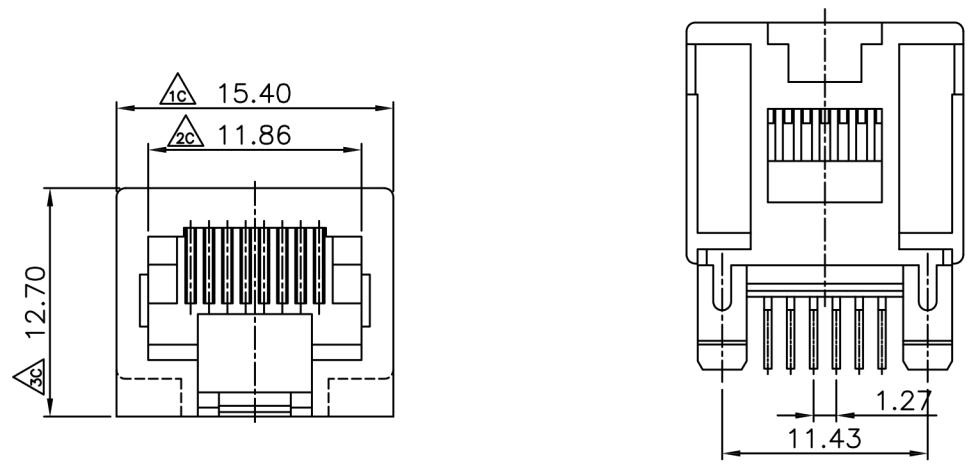


| | | |
|-----------|-----------------------------|--------------|
| CATEGORY | DESCRIPTION | P/N # |
| CONNECTOR | Modular Jack, 8P8C, 1X1PORT | MJ88-BX11-PN |

| | | | | |
|------|--------|-------------|---------|------------|
| REV. | ECN NO | DESCRIPTION | REVISED | DATE |
| A01 | | New Release | WZ | 2009.04.06 |



MATERIALS:
PLASTIC HOUSING: ENGINEERING THERMOPLASTIC
 FLAMMABILITY RATING UL 94V-0.
CONTACTS: PHOSPHOR BRONZE
PLATING: GOLD PLATING OVER NICKEL IN CONTACT.
 TIN PLATING OVER NICKEL IN SOLDER AREA.

| | |
|--------------------------|----------------------------|
| Electrical: | |
| 1.Voltage Rating: | 125 Vac Rms. |
| 2.Current Rating: | 4.5 Amp. |
| 3.Contact Resistance: | 40 Milliohms Max. |
| 4.Insulation Resistance: | 1000 Megohms Min @500 Vdc. |
| 5.Dielectric Strength: | 1000 Vac Rms 60Hz, 1Min. |
| Mechanical: | |
| 1.Operating: | 750 Cycles Min. |
| Environmental: | |
| 1.Storage: | -40°C To +85°C. |
| 2.Operation: | -20°C To +75°C. |

Part No.: MJ88-BX11-PN

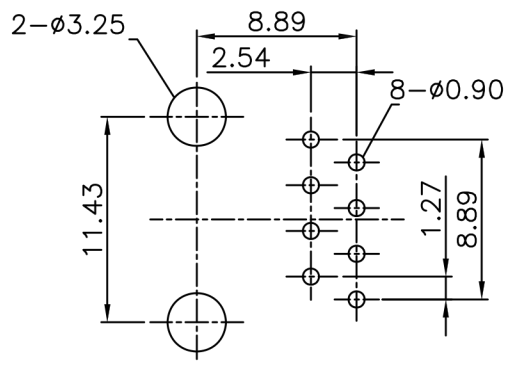
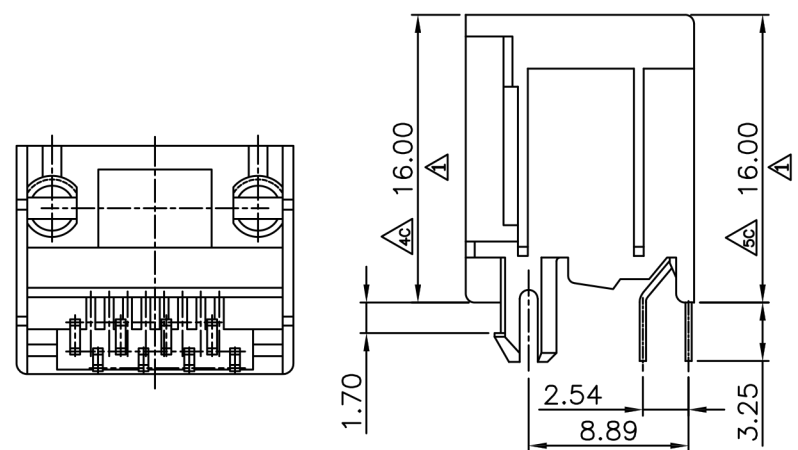


Table 1

| X | Terminal Plating |
|---|------------------|
| 0 | Au 1u" Plating |
| 1 | Au 3u" Plating |
| 2 | Au 6u" Plating |
| 3 | Au 15u" Plating |
| 4 | Au 30u" Plating |
| 5 | Au 50u" Plating |

※ 凡標註△記號者, 為品管檢驗之尺寸

 **贵州省合曜电子科技有限公司**
 GuiZhouSheng HeYao Electronic Technology Co.,Ltd

| | | | |
|---|-------------------------------|---------------------|---------------------|
| UNLESS OTHERWISE SPECIFIED TOLERANCES | SCALE: 1/1 | UNIT: mm | DWG. NO: WI-061-751 |
| | SIZE: A3 | PAGE: 1 OF 1 | |
| DECIMALS: X :±0.5 X.X :±0.3 X.XX :±0.2 | ANGLES: X :±2° X.X :±1° | APPROVED BY DICK | CHECKED BY WZ |
| | | | PREPARED BY WZ |
| CUSTOMER COPY | | | |