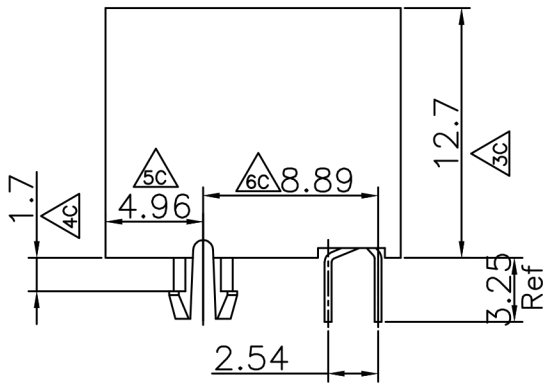
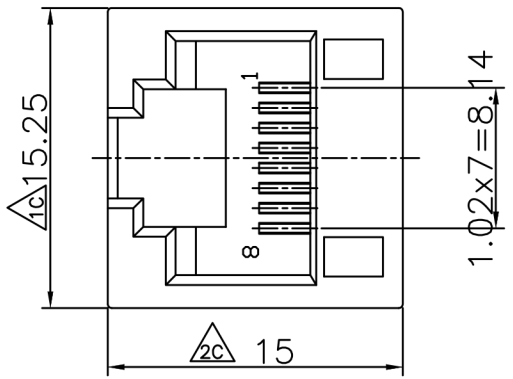
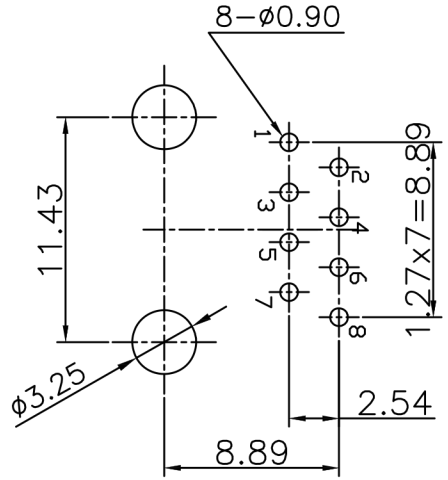
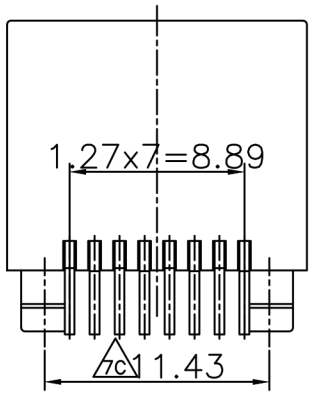


| CATEGORY | DESCRIPTION | P/N # |
|-----------|-----------------------------|---------------|
| CONNECTOR | Modular Jack, 8P8C, 1x1PORT | MJ88-BX11-PN2 |

| REV. | ECN NO | DESCRIPTION | REVISED | DATE |
|------|--------|-------------|---------|------------|
| A01 | | New Release | wz | 2010.09.22 |



- SPECIFICATIONS:**
1. Voltage: 150V AC RMS
 2. Current Rating: 1.5A
 3. Contact Resistance: 30mΩ MAX.
 4. Insulation Resistance: 500MΩ MIN.
 5. Dielectric Withstang Voltage :1000V AC
 6. Operature Temperature: -40°C~80°C
 7. Durability: 500 Mating Cycles MIN.



Part No.: MJ88-BX11-PN2
Material & Plating

Table 1

| X | Terminal Plating |
|---|------------------|
| 0 | Au 1u" Plating |
| 1 | Au 3u" Plating |
| 2 | Au 6u" Plating |
| 3 | Au 15u" Plating |
| 4 | Au 30u" Plating |
| 5 | Au 50u" Plating |

| NO. | PART NAME | Q'TY | MATERIAL | PLATING & COLOR | Remark |
|-----|-----------|------|-----------------|------------------|--------|
| b | Terminal | 8 | Phosphor Bronze | Terminal Plating | |
| a | Housing | 1 | PBT UL94V-0 | See Color Scheme | |

UNLESS OTHERWISE SPECIFIED TOLERANCES

DECIMALS: X :±0.5, X.X :±0.3, X.XX :±0.2
 ANGLES: X :±2°, X.X :±1°

SCALE: 1/1 UNIT: mm DWG.NO: WI-061-751
 SIZE: A3 PAGE: 1 OF 1 REV: A01

APPROVED BY: TONY CHECKED BY: WZ PREPARED BY: WZ

CUSTOMER COPY

