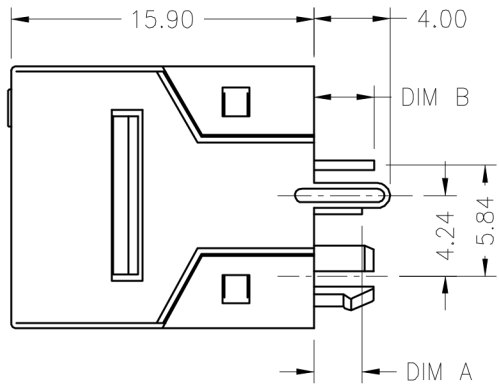
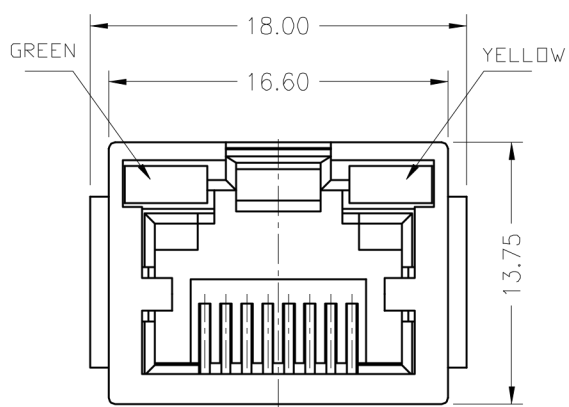
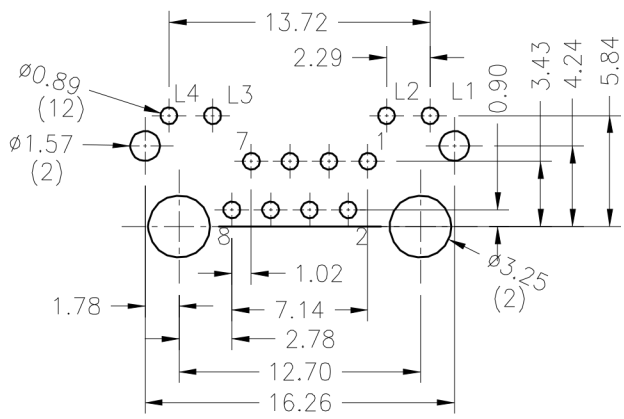
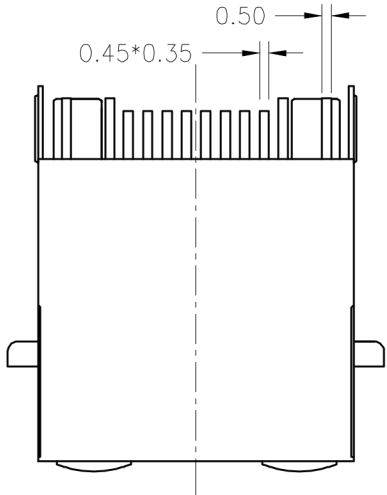


CATEGORY	DESCRIPTION	P/N #
CONNECTOR	RJ45 8P8C 1X1 PORT with LED	MJ88E-BX11-JPL1

REV.	ECN NO	DESCRIPTION	REVISED	DATE
A01		New Release	XSY	2010.02.13



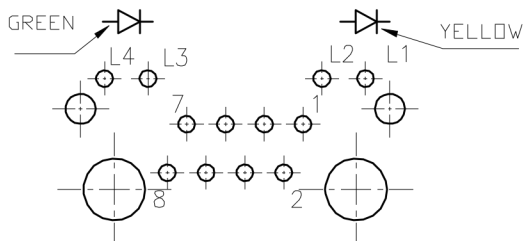
NOTES:
 1.MATERIAL:
 HOUSING:HIGH TEMP.THERMOPLASTIC,
 BLACK,PBT/NY6T(PA6T)UL 94V-0
 CONTACT:PHOSPHOR BORNZE,T=0.35mm
 SHELL:BRASS,T=0.25mm
 2.FINISH:
 CONTACT:50~80u"MIN. NICKEL UNDERPLATING ALL AREA,
 100u"MIN. TIN ON SOLDERTAILS,
 GOLD PLATING ON CONTACT AREA.
 SHELL:30u"MIN. NICKEL UNDERPLATING ALL AREA
 3.OPERATING TEMPERTURE:-40°C~+85°C.
 4.JACK CAVITY CONFORMS TO FCC RULES AND
 REGULATIONS PART 68, SUBPART F



PCB LAYOUT TOLERANCE:±0.05

Part No.:
MJ88E-BX11-JPL1

X	Terminal Plating
0	G/F Plating
1	Au 3u" Plating
2	Au 6u" Plating
3	Au 15u" Plating
4	Au 30u" Plating



LED SCHEMATIC

贵州省合曜电子科技有限公司
 GuiZhouSheng HeYao Electronic Technology Co.,Ltd

UNLESS OTHERWISE SPECIFIED TOLERANCES	SCALE:1/1	UNIT: mm	DWG.NO:
	SIZE: A3	PAGE:1 OF 1	
DECIMALS: X :±0.5 X.X :±0.3 X.XX :±0.2	ANGLES: X :±2° X.X :±1°	APPROVED BY Tony	CHECKED BY Bill
		PREPARED BY XSY	
CUSTOMER COPY			