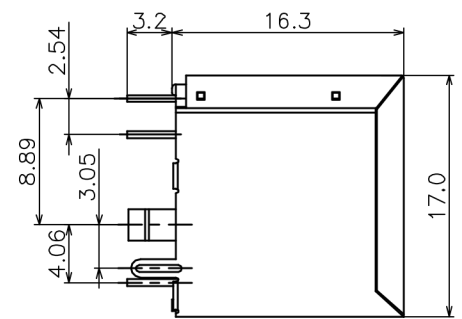
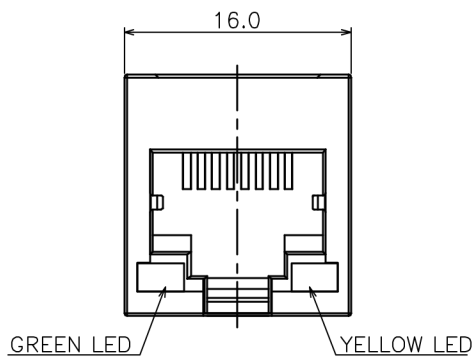


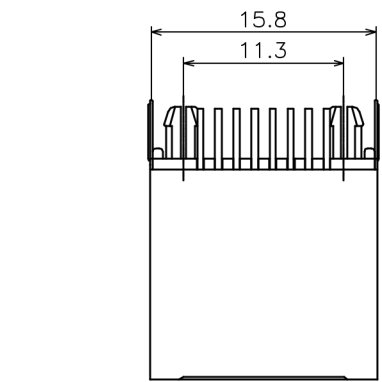
CATEGORY	DESCRIPTION	P/N #
CONNECTOR	Modular Jack, 8P8C, R/A, With LED	MJ522488-BX11-BPL2F1

REV.	ECN NO	DESCRIPTION	REVISED	DATE
A01		New Release	kelly	2009.07.11

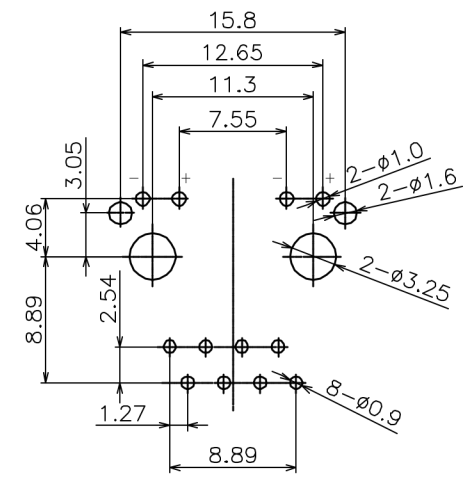


SPECIFICATIONS:

1. Voltage: 150V AC RMS
2. Current Rating: 1.5A
3. Contact Resistance: 30mΩ MAX.
4. Insulation Resistance: 500MΩ MIN.
5. Dielectric Withstang Voltage :1000V AC
6. Operature Temperature: -40°C~80°C
7. Durability: 500 Mating Cycles MIN.



TOP VIEW



PCB LAYOUT (BOTTOM VIEW)
RECOMMENDED

Part No.:
MJ522488-BX11-BPL2F1

Table 1

X	Terminal Plating
0	Au 1u" Plating
1	Au 3u" Plating
2	Au 6u" Plating
3	Au 15u" Plating
4	Au 30u" Plating
5	Au 50u" Plating

e	LED	1		green	
d	LED	1		yellow	
c	Shielding	1	Brass	Ni Plating	
b	Terminal	8	Phosphor Bronze	PLATING & COLOR	
a	Housing	1	PBT UL94V-0	See Color Scheme	
NO.	PART NAME	Q'TY	MATERIAL	Material & Plating	Remark

UNLESS OTHERWISE SPECIFIED TOLERANCES

DECIMALS: X :±0.5, X.X :±0.3, X.XX :±0.2

ANGLES: X :±2°, X.X :±1°

贵州省合曜电子科技有限公司
GuiZhouSheng HeYao Electronic Technology Co.,Ltd

SCALE: 1/1	UNIT: mm		DWG.NO:
SIZE: A3	PAGE: 1 OF 1		REV: A01
APPROVED BY	CHECKED BY	PREPARED BY	
Tony	Bill	Kelly	
CUSTOMER COPY			