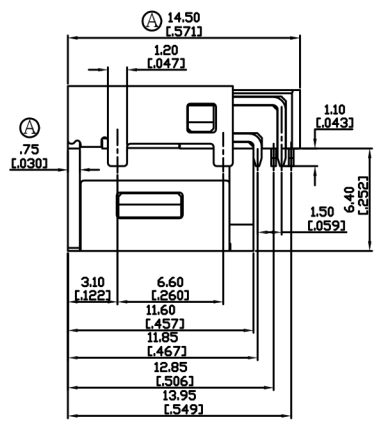
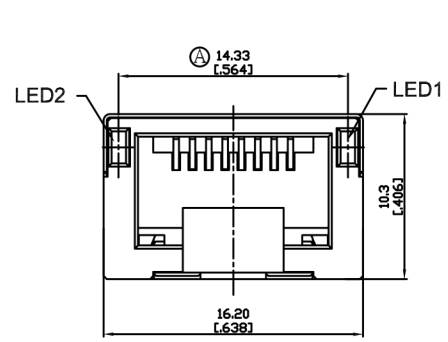


CATEGORY	DESCRIPTION	P/N #
CONNECTOR	Modular Jack, 8P8C, R/A, With LED	MJ88B-BX11-PWRVL2

REV.	ECN NO	DESCRIPTION	REVISED	DATE
A01		New Release	Kelly	2011.04.08

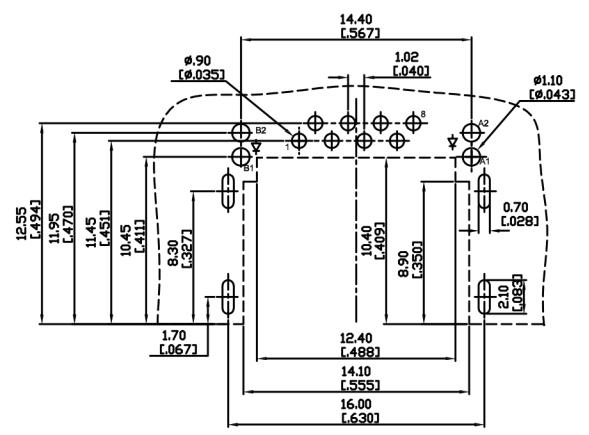
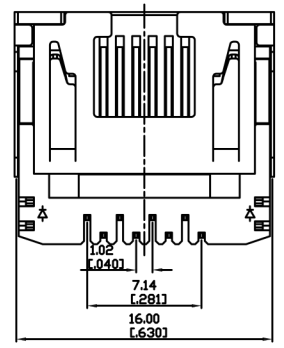


Electrical Characteristics :

- Insulation Resistance : 100MΩMin.
- Contact Resistance : 50mΩ Max.
- Withstand Voltage : 500 VAC 1 minute.
- Current Rating : 1.0A

Material:

- Housing : Thermoplastic UL94V-0
- Contact : Selective Gold Plating
- Terminal: 0.30mm Thickness Phosphor Bronze Plated With Gold And Tin In Solder Area.
- Top Shield : Brass, Nickel Plating.
- Bottom Shield: SUS



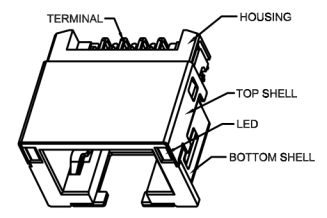
RECOMMENDED PCB LAYOUT
TOP VIEW

RECOMMENDED PCB THICKNESS: 1.20±0.05mm

Part No.: MJ88B-BX11-PWRVL2

Table 1

X	Terminal Plating
0	Au 1u" Plating
1	Au 3u" Plating
2	Au 6u" Plating
3	Au 15u" Plating
4	Au 30u" Plating
5	Au 50u" Plating



贵州省合曜电子科技有限公司
GuiZhouSheng HeYao Electronic Technology Co.,Ltd

UNLESS OTHERWISE SPECIFIED TOLERANCES	SCALE: 1/1	UNIT: mm	DWG. NO: WI-061-751
	SIZE: A3	PAGE: 1 OF 1	
DECIMALS: X :±0.5 X.X :±0.3 X.XX :±0.2	ANGLES: X :±2° X.X :±1°	APPROVED BY Tony	CHECKED BY Bill
		PREPARED BY Kelly	
CUSTOMER COPY			