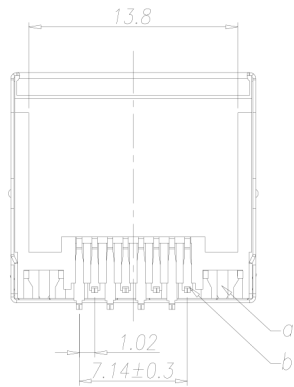
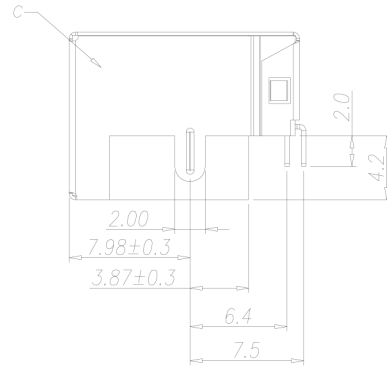
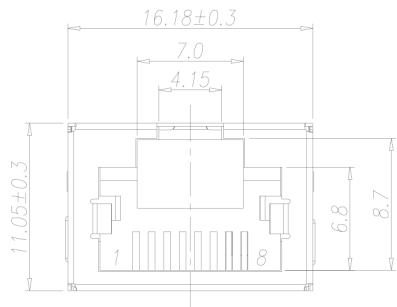
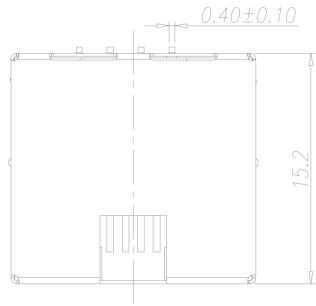


CATEGORY	DESCRIPTION	P/N #
CONNECTOR	Modular Jack, 8P8C, Straddle DIP	MJ88B-BX11-RV1

REV.	ECN NO	DESCRIPTION	REVISED	DATE
R01		New Release	WZ	2010.02.26



SPECIFICATIONS:

1. RJ Electrical Characteristics

1-1: Voltage: 150V AC RMS

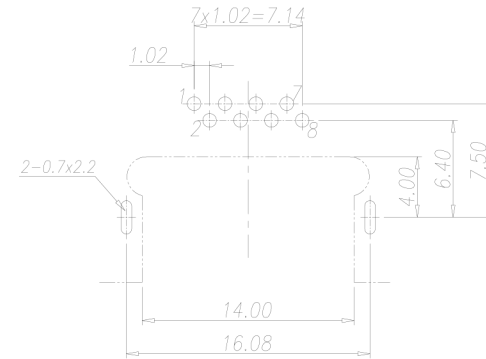
1-2: Current Rating: 1.5A

1-3: Contact Resistance: 40mΩ MAX.

1-4: Insulation Resistance: 500MΩ MIN.

1-5: Dielectric Withstang Voltage :1000V AC

1-6: Operature Temperature: -40°C~80°C



Recommend PCB Layout
(Jack Top View)
Tolerance: ±0.05mm

NO.	PART NAME	Q'TY	MATERIAL	PLATING & COLOR
c	Shielding	1	Brass, T=0.2mm	Ni Plating
b	Terminal	8	Phosphor Bronze, T=0.3mm	Au/Tin Plating
a	Housing	1	LCP UL94V-0	Black

UNLESS OTHERWISE SPECIFIED TOLERANCES		SCALE:1/1	UNIT: mm	DWG.NO:	
		SIZE: A3	PAGE:1 OF 1	REV:R01	
DECIMALS: X :±0.5 X.X :±0.3 X.XX :±0.2		ANGLES: X :±2° X.X :±1°		APPROVED BY	CHECKED BY
				TONY	WZ
				PREPARED BY	WZ
CUSTOMER COPY					

 **贵州省合曜电子科技有限公司**
GuiZhouSheng HeYao Electronic Technology Co.,Ltd