

CATEGORY	DESCRIPTION	P/N #
CONNECTOR	Modular Jack, 8P8C, Straddle DIP	MJ88B-BX11-RVLXX

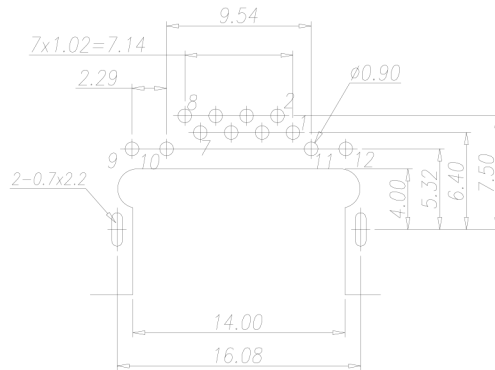
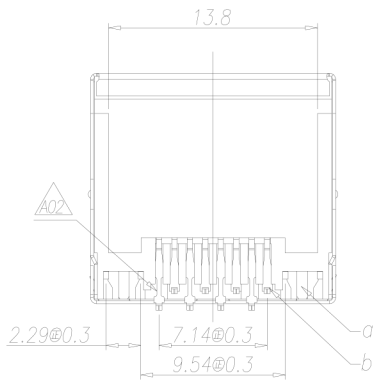
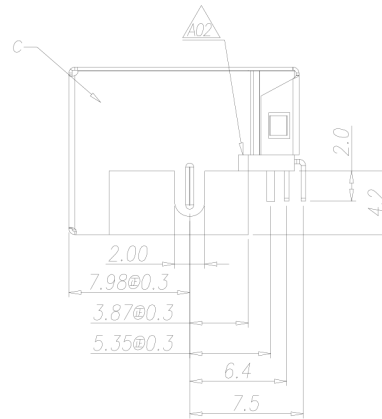
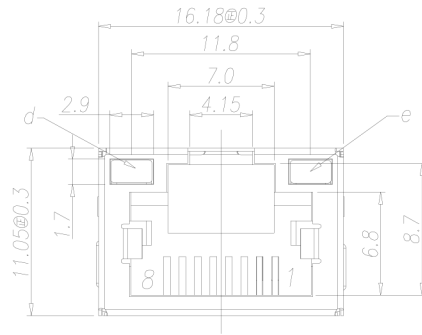
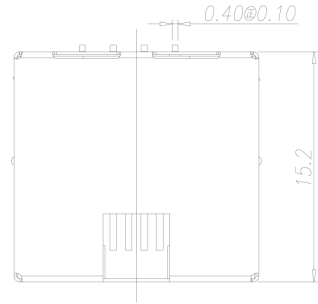
原料号为: MJ88B-B011-RVL1  
变更后料号为: MJ88B-BX11-RVLXX



SPECIFICATIONS:

1. RJ Electrical Characteristics

- 1-1: Voltage: 150V AC RMS
- 1-2: Current Rating: 1.5A
- 1-3: Contact Resistance: 40mΩ MAX.
- 1-4: Insulation Resistance: 500MΩ MIN.
- 1-5: Dielectric Withstang Voltage :1000V AC
- 1-6: Operature Temperature: -40°C~80°C



Recommend PCB Layout  
(Jack Top View)  
Tolerance: ±0.05mm



MJ88B-BX11-RVLXX

Material & Plating

X	Terminal Plating
0	Au 1u" Plating
1	Au 3u" Plating
2	Au 6u" Plating
3	Au 15u" Plating
4	Au 30u" Plating
5	Au 50u" Plating

X	包装方式
C	卷带包装
P	吸塑盒包装

Table 1

X	LED TYPE	LED 01	LED 02
1	LED 塑胶主体透明白色	Yellow	Green
2	LED 塑胶主体透明带颜色区分	Green	Yellow
3	LED 塑胶主体透明带颜色区分	Green	Yellow

贵州省合曜电子科技有限公司  
GuiZhouSheng HeYao Electronic Technology Co.,Ltd

NO.	PART NAME	Q'TY	MATERIAL	PLATING & COLOR
e	LED 02	1	See Table 1	See Table 1
d	LED 01	1	See Table 1	See Table 1
c	Shielding	1	Brass, T=0.2mm	Ni Plating
b	Terminal	8	Phosphor Bronze, T=0.3mm	See Table 2
a	Housing	1	LCP UL94V-0	Black

UNLESS OTHERWISE SPECIFIED TOLERANCES

DECIMALS: X :±0.5 X.X :±0.3 X.XX :±0.2  
ANGLES: X :±2° X.X :±1°

SCALE: 1/1	UNIT: mm	DWG. NO:
SIZE: A3	PAGE: 1 OF 1	REV: A5
APPROVED BY	CHECKED BY	PREPARED BY
Tony	Bill	Kelly
CUSTOMER COPY		