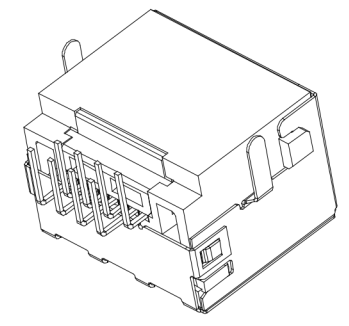
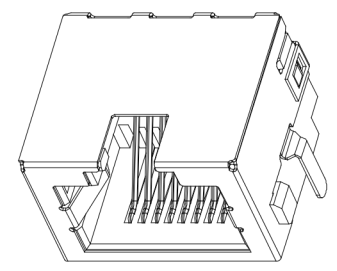
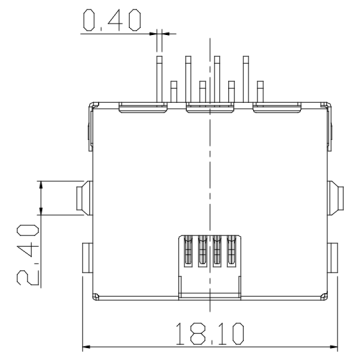


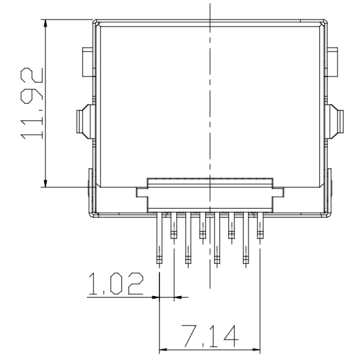
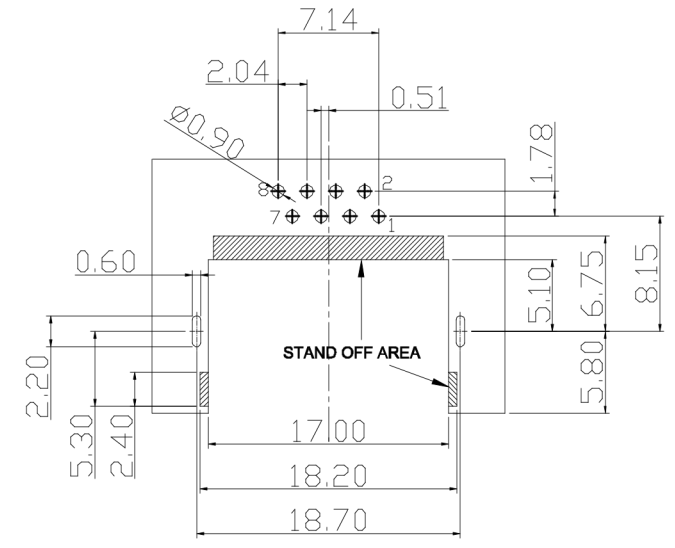
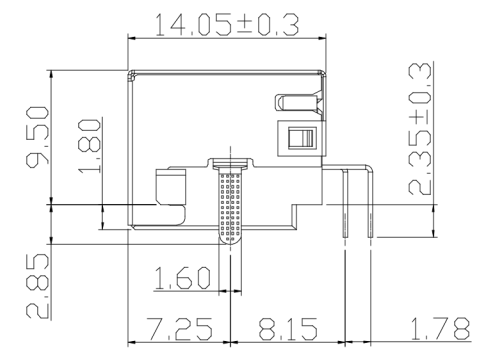
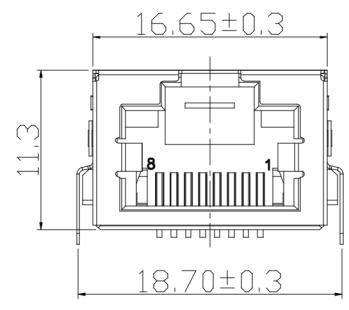
CATEGORY	DESCRIPTION	P/N #
CONNECTOR	RJ45 8P8C 带壳沉板H=1.8	MJ88-BX11-GRV2

REV.	ECN NO	DESCRIPTION	REVISED	DATE
A01	—	New Release	XSY	2014.02.13



SPECIFICATION

- VOLTAGE RATING: 125 VAC RMS.
- CURRENT RATING: 1.5 AMP
- CONTACT RESISTANCE: 40 mΩ MAX
- INSULATION RESISTANCE: 500MΩ MIN.
- WITHSTAND VOLTAGE:
AC1000V RMS 50Hz or 60Hz MIN.
- OPERATING TEMPERATURE: 0°C~+70°C



Part No.:
MJ88-BX11-GRV2

X	Terminal Plating
0	G/F Plating
1	Au 3u" Plating
2	Au 6u" Plating
3	Au 15u" Plating
4	Au 30u" Plating

Recommend PCB Layout
(Jack Top View)
Tolerance: ±0.05mm
Recommend PCB Thickness: 1.6mm

d	SHELL	1	BRASS T=0.2mm	Ni PALTING	
c	TERMINAL	8	PHOSPHOR BRONZE T=0.3mm	Au PALTING	
b	COVER	1	THERMOPLASTIC UL94V-0	BLACK	
a	HOUSING	1	THERMOPLASTIC UL94V-0	BLACK	
NO.	PART NAME	Q'TY	MATERIAL	PLATING & COLOR	Remark

UNLESS OTHERWISE SPECIFIED TOLERANCES	SCALE: 1/1	UNIT: mm	DWG.NO:	
	SIZE: A3	PAGE: 1 OF 1		REV: A01
DECIMALS: X :±0.5 X.X :±0.3 X.XX :±0.2	ANGLES: X :±2° X.X :±1°	APPROVED BY	CHECKED BY	PREPARED BY XSY
CUSTOMER COPY				

 **贵州省合曜电子科技有限公司**
GuiZhouSheng HeYao Electronic Technology Co., Ltd