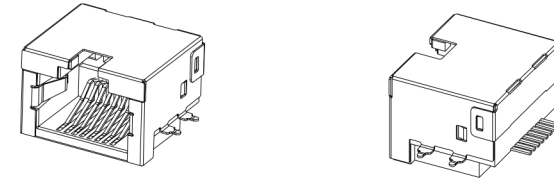
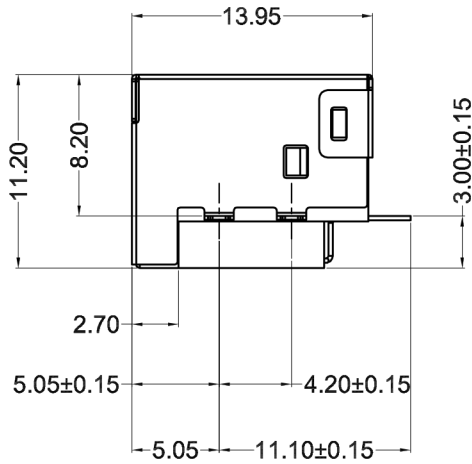
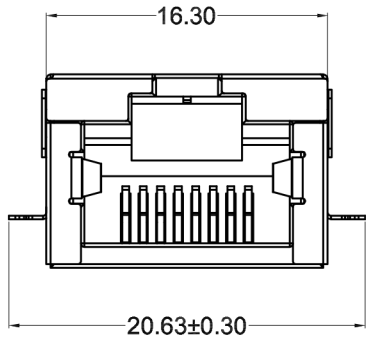


CATEGORY	DESCRIPTION	P/N #
CONNECTOR	Modular Jack, 8P8C, 1X1PORT	MJ88-BX11-HCRVS1

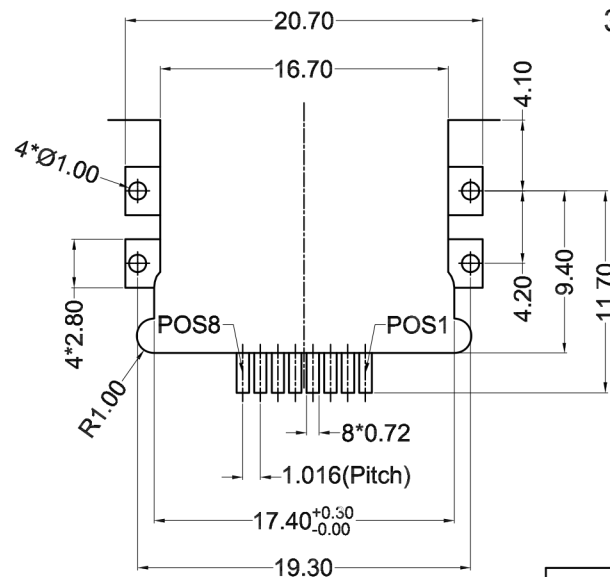
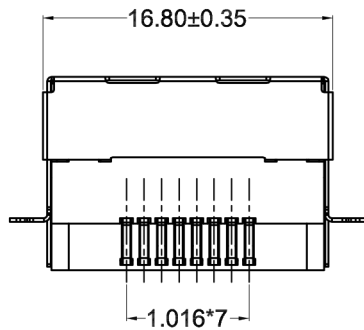
REV.	ECN NO	DESCRIPTION	REVISED	DATE
A01		New Release	Kelly	2011.07.15



3D View

NOTES:

- Material:
Housing: Thermoplastic, Black, UL 94 V-0;
Contact: Copper Alloy, T=0.25mm;
Shell: Copper Alloy, T=0.20mm;
- Finish:
Contact: Au plating at contact area and Sn plating at solder area over Nickel underplating overall ;
- HSF COMPLIANT (RoHS PFOS HF).



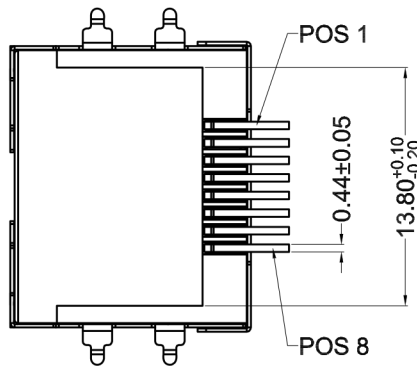
PCB LAYOUT (TOP VIEW)

Part No.:

MJ88-BX11-HCRVS1

Table 1

X	Terminal Plating
0	Au 1u" Plating
1	Au 3u" Plating
2	Au 6u" Plating
3	Au 15u" Plating
4	Au 30u" Plating
5	Au 50u" Plating



贵州省合曜电子科技有限公司
GuiZhouSheng HeYao Electronic Technology Co., Ltd

UNLESS OTHERWISE SPECIFIED TOLERANCES

DECIMALS: X :±0.5, X.X :±0.3, X.XX :±0.2
ANGLES: X :±2°, X.X :±1°

SCALE: 1/1 UNIT: mm
SIZE: A3 PAGE: 1 OF 1 REV: A01

DWG. NO: WI-061-751

APPROVED BY Tony	CHECKED BY Bill	PREPARED BY Kelly
---------------------	--------------------	----------------------

CUSTOMER COPY