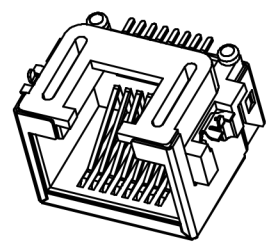
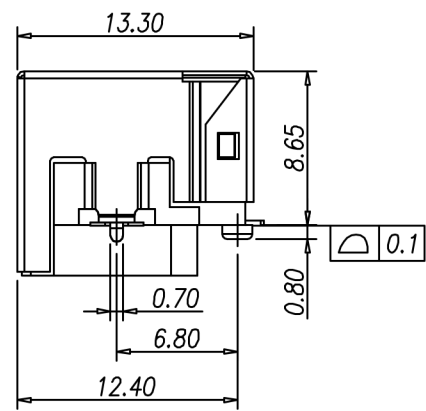
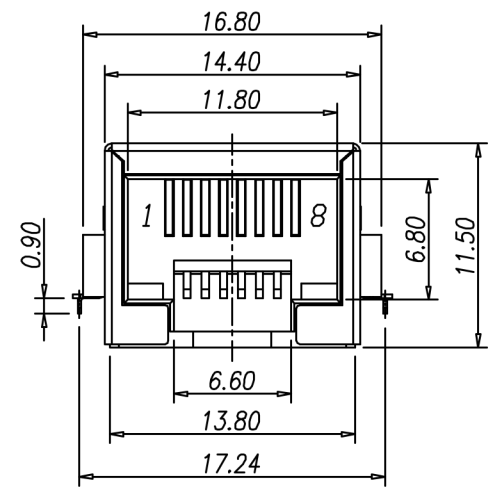
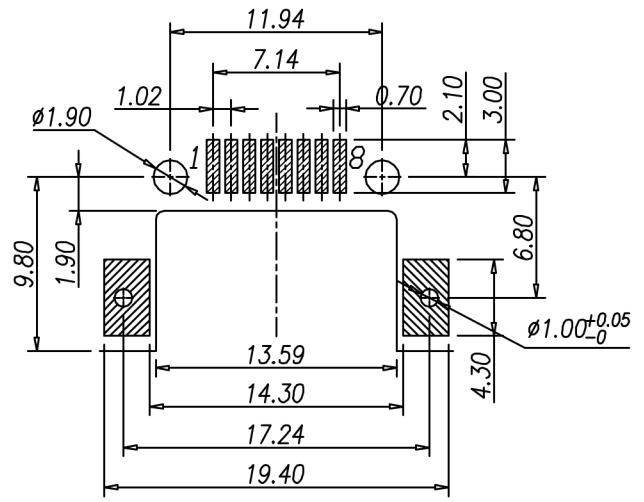
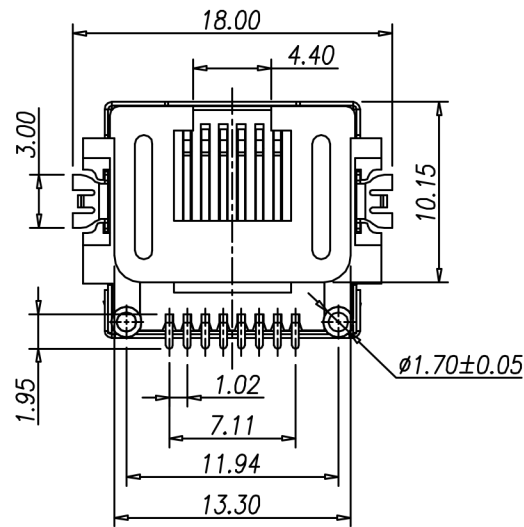


CATEGORY	DESCRIPTION	P/N #
CONNECTOR	Modular Jack, 8P8C, 1X1PORT	MJ88-BX11-JRVS1

REV.	ECN NO	DESCRIPTION	REVISED	DATE
A01		New Release	XSY	2010.03.20



- SPECIFICATIONS:**
1. Voltage: 150V AC RMS
  2. Current Rating: 1.5A
  3. Contact Resistance: 30mΩ MAX.
  4. Insulation Resistance: 500MΩ MIN.
  5. Dielectric Withstang Voltage :1000V AC
  6. Operature Temperature: -40°C~80°C
  7. Durability: 500 Mating Cycles MIN.



Recommend PCB Layout  
(Jack Top View)  
Tolerance: ±0.05mm

Part No.:  
MJ88-BX11-JRVS1  
Material & Plating

X	Terminal Plating
0	Au 1u" Plating
1	Au 3u" Plating
2	Au 6u" Plating
3	Au 15u" Plating

NO.	PART NAME	Q'TY	MATERIAL	PLATING & COLOR	Remark
c	Shielding	1	Brass	Ni Plating	
b	Terminal	8	Phosphor Bronze	Au/Tin Plating	
a	Housing	1	LCP UL94V-0	Black	

UNLESS OTHERWISE SPECIFIED TOLERANCES  
DECIMALS: X :±0.5, X.X :±0.3, X.XX :±0.2  
ANGLES: X :±2°, X.X :±1°

**贵州省合曜电子科技有限公司**  
GuiZhouSheng HeYao Electronic Technology Co.,Ltd

SCALE:1/1	UNIT: mm	DWG.NO:
SIZE: A3	PAGE:1 OF 1	REV:A01
APPROVED BY	CHECKED BY	PREPARED BY
		XSY
<b>CUSTOMER COPY</b>		