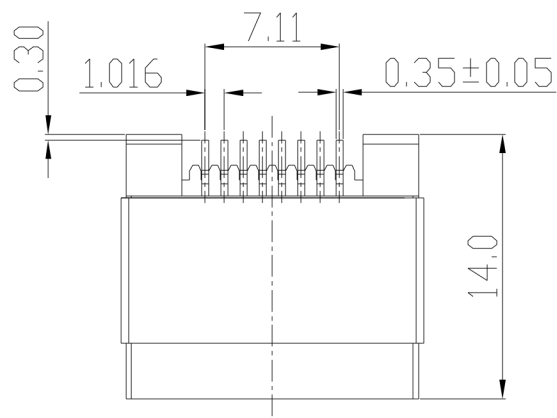


CATEGORY	DESCRIPTION	P/N #
CONNECTOR	Modular Jack, 8P8C, SMT H=4.60m	MJ88-BX11-KRS1

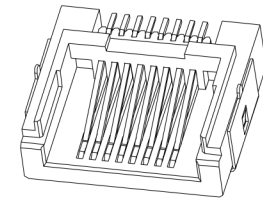
REV.	ECN NO	DESCRIPTION	REVISED	DATE
A01		New Release	XSY	2013.12.17



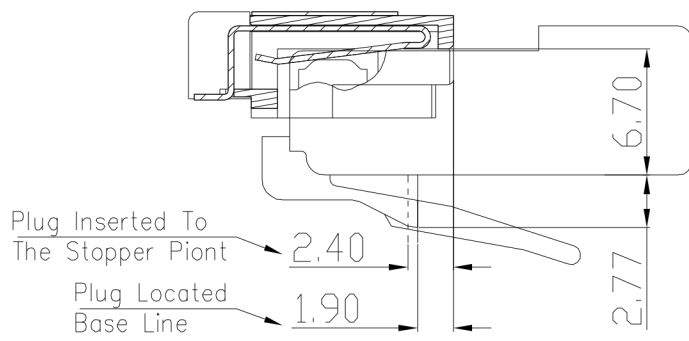
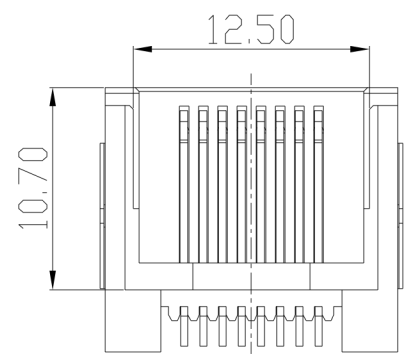
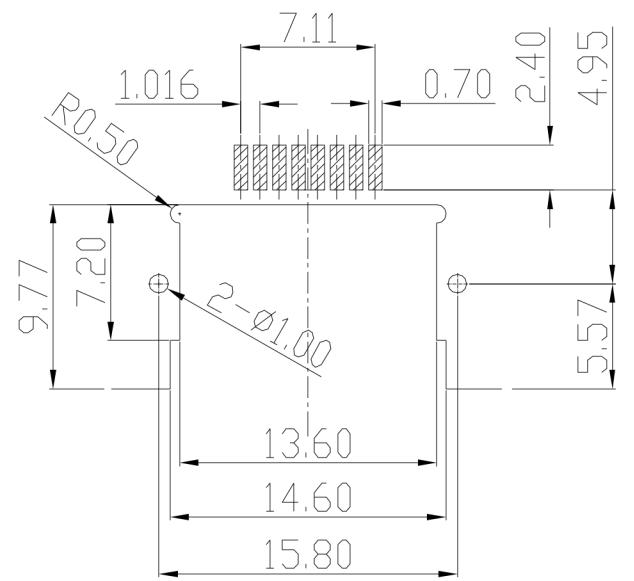
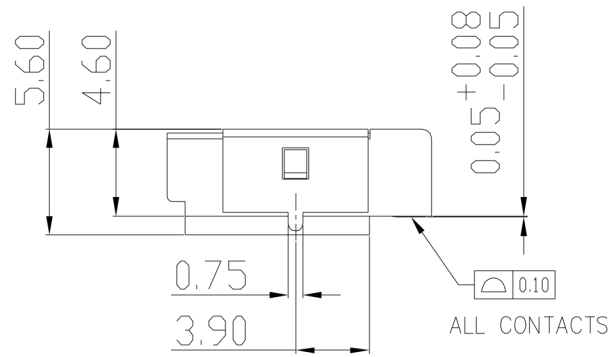
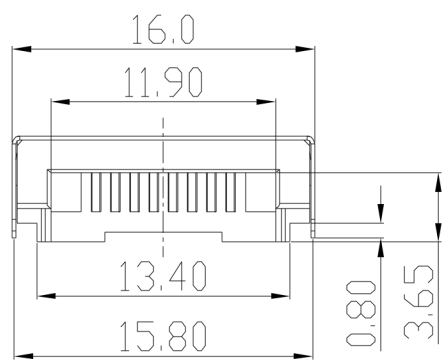
Part No.:  
MJ88-BX11-KRS1

Table 1

X	Terminal Plating
0	Au 1u" Plating
1	Au 3u" Plating
2	Au 6u" Plating
3	Au 15u" Plating



**SPECIFICATION**  
 1.CURRENT RATING: 1.5AMPS  
 2.VOLTAGE RATING: 125V AC  
 3.INSULATION RESISTANCE: 500MΩ MIN.  
 4.WITHSTAND VOLTAGE:  
 AC1000V RMS 50Hz or 60Hz MIN.  
 5.CONTACT RESISTANCE:30mΩ MAX.  
 6.DURABILITY: 750 MATING CYCLES  
 7.OPERATING TEMPERATURE: -25°C~+70°C



Recommend PCB Layout  
 Jack Top View  
 Tolerance: ±0.05mm

**贵州省合曜电子科技有限公司**  
 GuiZhousheng HeYao Electronic Technology Co.,Ltd

NO.	PART NAME	Q'TY	MATERIAL	PLATING & COLOR	Remark
C	SHELL	1	BRASS T=0.2mm	Tin PALTING	
b	TERMINAL	8	PHOSPHOR BRONZE	Au/Tin PALTING	
a	HOUSING	1	LCP+30%G.F UL94V-0	BLACK	

UNLESS OTHERWISE SPECIFIED TOLERANCES	SCALE:1/1 UNIT: mm	DWG.NO:
DECIMALS: X :±0.5 X.X :±0.3 X.XX :±0.2	ANGLES: X :±2° X.X :±1°	SIZE: A3 PAGE:1 OF 1 REV:A01
APPROVED BY	CHECKED BY	PREPARED BY
CUSTOMER COPY		

公母对插示意图