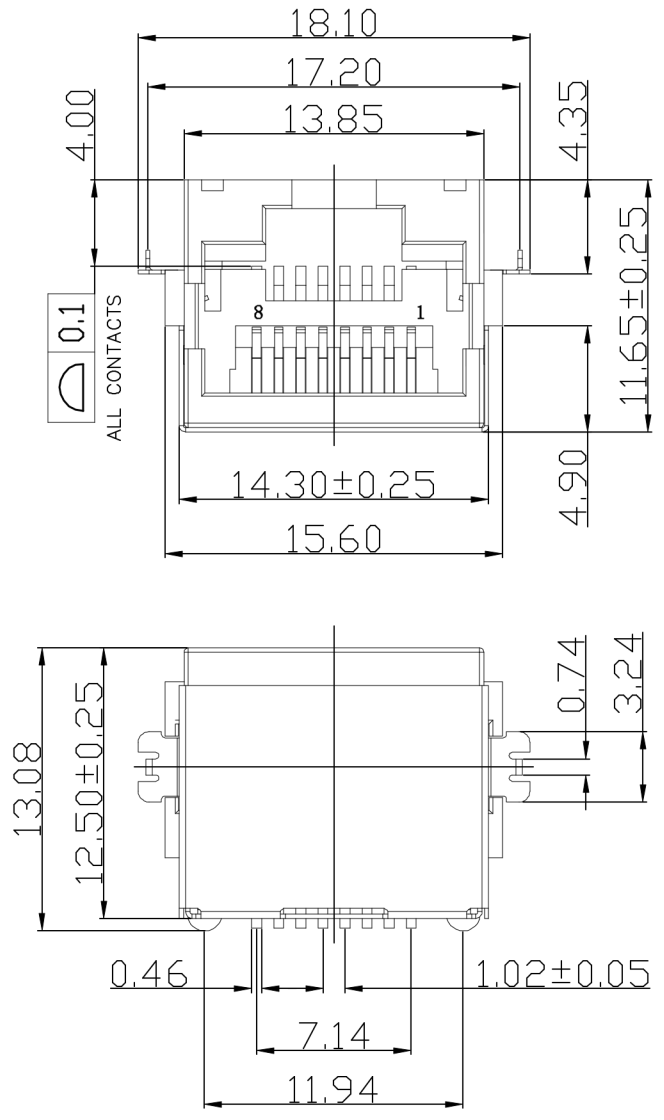


CATEGORY	DESCRIPTION	P/N #
CONNECTOR	Modular Jack, 8P8C,SMT H=7.50mm	MJ88-BX11-PRVS3

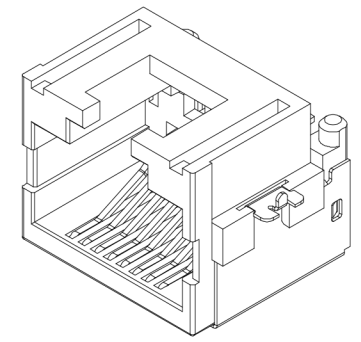
REV.	ECN NO	DESCRIPTION	REVISED	DATE
A01		New Release	XSY	2012.12.7



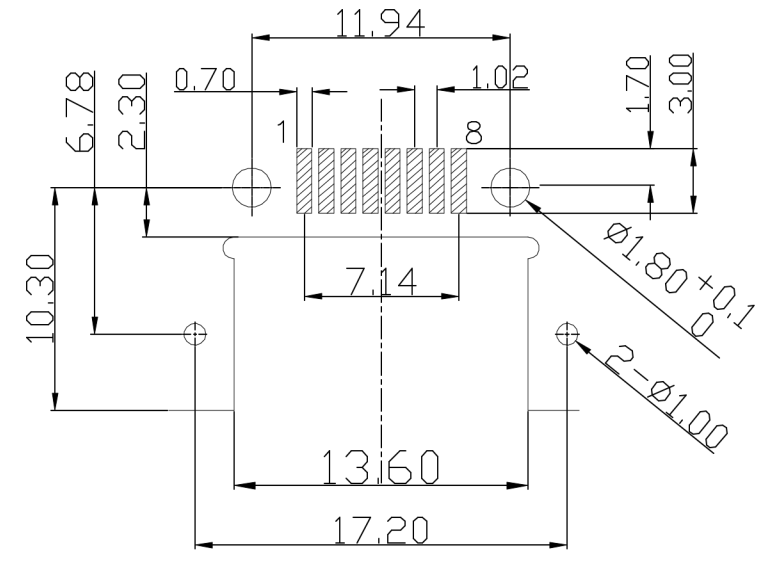
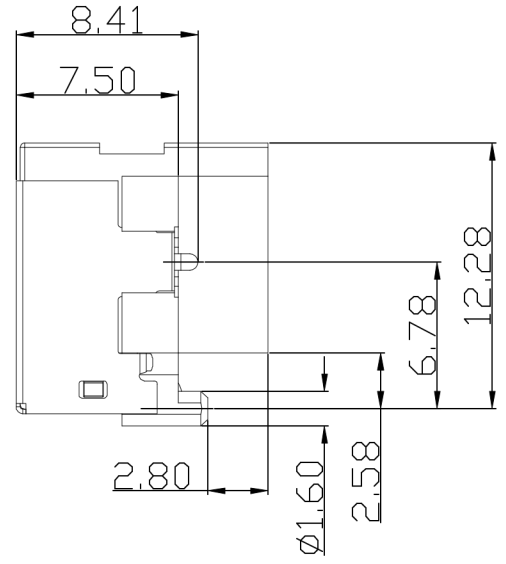
Part No.:
MJ88-BX11-PRVS3

Table 1

X	Terminal Plating
0	Au 1u" Plating
1	Au 3u" Plating
2	Au 6u" Plating
3	Au 15u" Plating



- SPECIFICATION
- CURRENT RATING: 1.5AMPS
 - VOLTAGE RATING: 125V AC
 - INSULATION RESISTANCE: 500MΩ MIN.
 - WITHSTAND VOLTAGE: AC1000V RMS 50Hz or 60Hz MIN.
 - CONTACT RESISTANCE: 40mΩ MAX.
 - DURABILITY: 750 MATING CYCLES
 - OPERATING TEMPERATURE: -25°C~+70°C



Recommend PCB Layout
Jack Top View
Tolerance: ±0.05mm

NO.	PART NAME	Q'TY	MATERIAL	PLATING & COLOR	Remark
C	SHELL	1	BRASS T=0.2mm	Tin PALTING	
b	TERMINAL	8	PHOSPHOR BRONZE	Au/Tin PALTING	
a	HOUSING	1	LCP+30%G.F UL94V-0	BLACK	

UNLESS OTHERWISE SPECIFIED TOLERANCES	SCALE:1/1	UNIT: mm	DWG.NO:	
	SIZE: A3	PAGE:1 OF 1	REV:A01	
DECIMALS: X :±0.5 X.X :±0.3 X.XX :±0.2	ANGLES: X :±2° X.X :±1°	APPROVED BY	CHECKED BY	PREPARED BY
		XSY		
CUSTOMER COPY				

贵州省合曜电子科技有限公司
GuiZhouSheng HeYao Electronic Technology Co.,Ltd