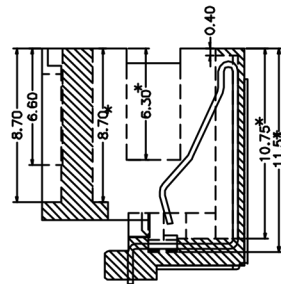
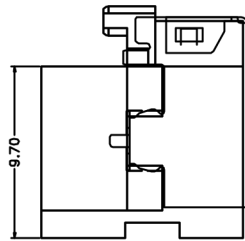
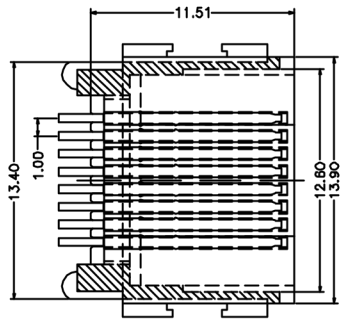
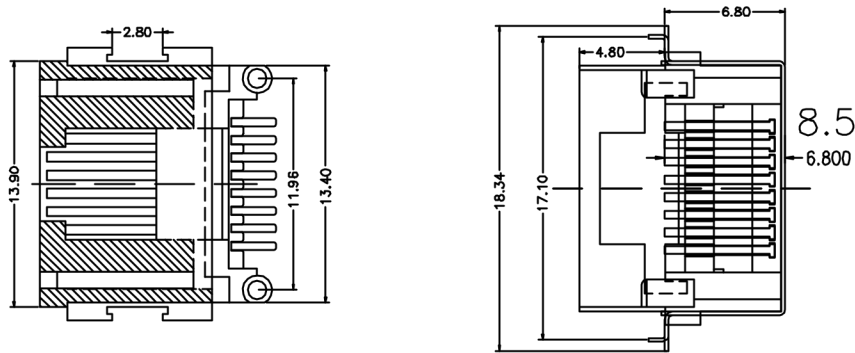


CATEGORY	DESCRIPTION	P/N #
CONNECTOR	RJ45 8P8C SMT H=6.8	MJ88-BX11-PRVS4

REV.	ECN NO	DESCRIPTION	REVISED	DATE
A01		New Release	XSY	2013.05.13



**NOTES:**

**MATERIAL:**

- 1.HOUSING MATERIAL :GLASS FILLED POLYESTER(UL94V-0).
- 2.CONTACT MATERIAL :PHOSPHOR BRONZE T=0.35mm (C5100).
- 3.PLATING :GOLD PLATING OVER NICKEL.
- 4.SHIELD.COPPER ALLOY 0.20mm THICKNESS PLATING NI.

**ELECTRICAL:**

- 1.VOLTAGE RATING :125 VAC RMS.
- 2.CURRENT RATING :1.5 AMP.
- 3.CONTACT RESISTANCE :50 MILLIOHMS MAX.
- 4.INSULATION RESISTANCE :500 MEGOHMS MIN @ 500V DC.
- 5.DIELECTRIC WITHSTANDING RESISTANCE :1000V AC RMS 50Hz. 1MIN.

**MECHANICAL:**

- 1.DURRABILITY :750 CYCLES MIN.
- 2.PCB RETENTION PRE-SOLDER :1 LB MIN.

**ENVIRONMENTAL:**

- 1.STORAGE :-40°C TO +85°C.
2. OPERATION : 0°C TO 70°C.

MATES WITH MODULAR PLUG CONFORMING TO FCC PART 68,SUBPART F.

Part No.:  
MJ88-BX11-PRVS4

X	Terminal Plating
0	G/F Plating
1	Au 3u" Plating
2	Au 6u" Plating
3	Au 15u" Plating
4	Au 30u" Plating



**贵州省合曜电子科技有限公司**  
GuiZhouSheng HeYao Electronic Technology Co.,Ltd

UNLESS OTHERWISE SPECIFIED TOLERANCES

DECIMALS: X :±0.5 X.X :±0.3 X.XX :±0.2  
ANGLES: X :±2° X.X :±1°

SCALE:1/1 UNIT: mm DWG.NO:  
SIZE: A3 PAGE:1 OF 1 REV:A01

APPROVED BY	CHECKED BY	PREPARED BY
Tony	Bill	XSY

CUSTOMER COPY