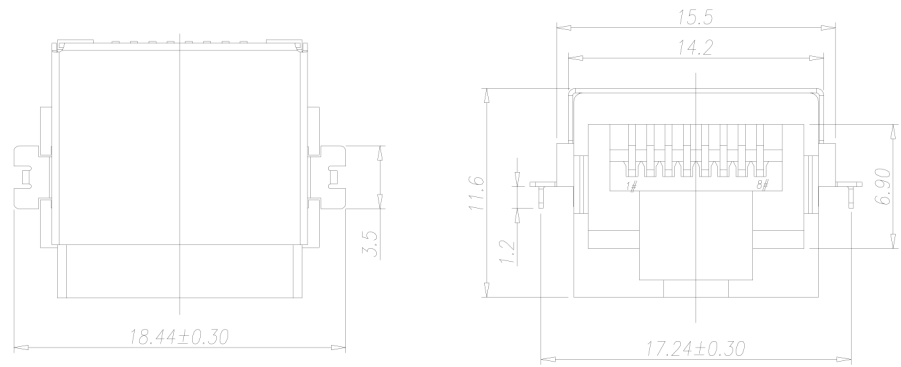


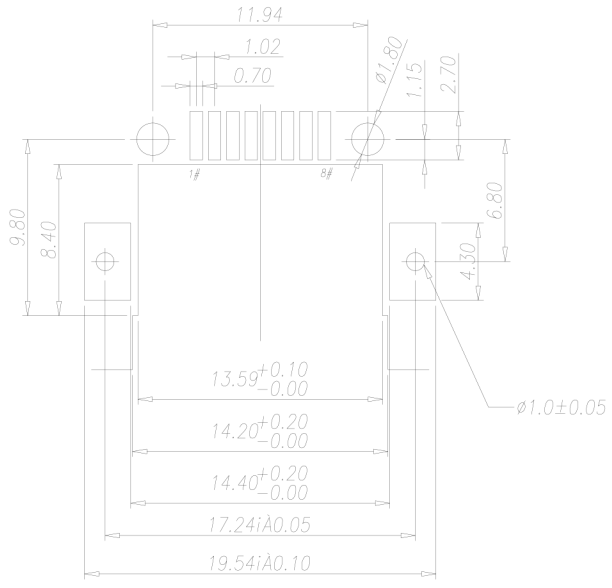
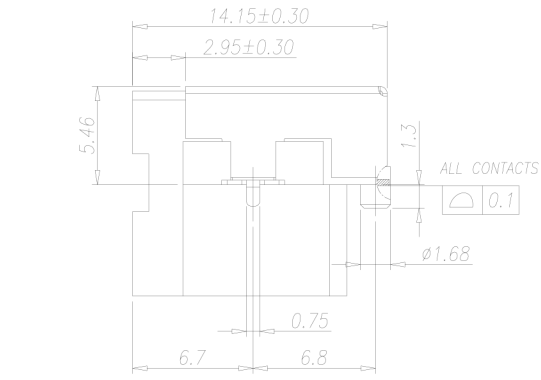
CATEGORY	DESCRIPTION	P/N #
CONNECTOR	Modular Jack, 8P8C, Straddle SMT, H5.46	MJ88-BX11-RSVS1

REV.	ECN NO	DESCRIPTION	REVISED	DATE
A01		NEW VIEW	XSY	2013.11.13



SPECIFICATIONS:

- RJ Electrical Characteristics
 - 1-1: Voltage: 150V AC RMS
 - 1-2: Current Rating: 1.5A
 - 1-3: Contact Resistance: 40mΩ MAX.
 - 1-4: Insulation Resistance: 500MΩ MIN.
 - 1-5: Dielectric Withstang Voltage :1000V AC
 - 1-6: Operature Temperature: -40°C~80°C

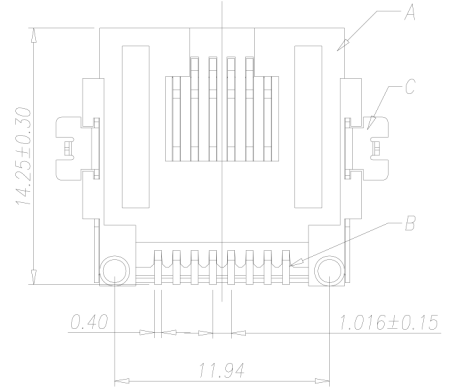


Part No.:
MJ88-BX11-RSVS1

Table 1

X	Terminal Plating
0	Au 1u" Plating
1	Au 3u" Plating
2	Au 6u" Plating
3	Au 15u" Plating
4	Au 30u" Plating
5	Au 50u" Plating

RECOMMEND PCB HOLE LAYOUT
GENERAL TOLERANCE:±0.05



NO.	PART NAME	Q'TY	MATERIAL	PLATING & COLOR	Remark
C	Shielding	1	Brass T=0.25mm	Tin Plating	
B	Contact	8	Phosphor Bronze, T=0.35mm	Au/Tin Plating	
A	Housing	1	LCP UL94V-0	Black	

UNLESS OTHERWISE SPECIFIED TOLERANCES	SCALE:1/1	UNIT: mm	DWG.NO: WI-061-010	
	SIZE: A3	PAGE:1 OF 1	REV:A01	
DECIMALS: X :±0.5 X.X :±0.3 X.XX :±0.2	ANGLES: X :±2° X.X :±1°	APPROVED BY	CHECKED BY	PREPARED BY XSY
CUSTOMER COPY				

贵州省合曜电子科技有限公司
GuiZhouSheng HeYao Electronic Technology Co.,Ltd