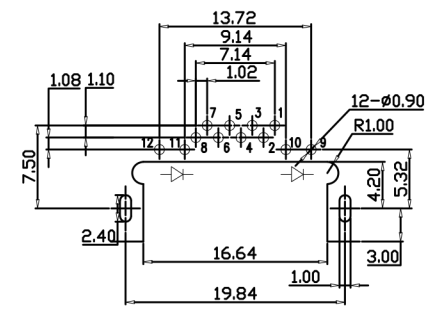
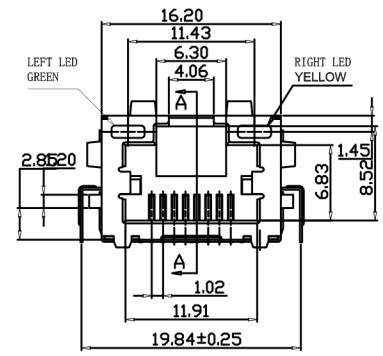
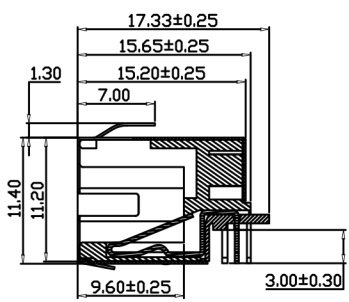
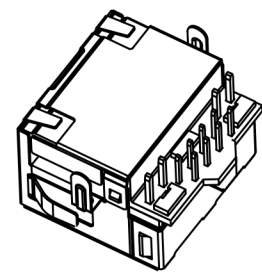
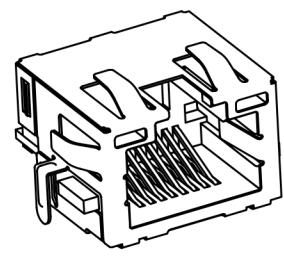
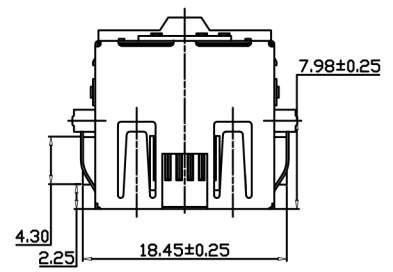


CATEGORY	DESCRIPTION	P/N #
CONNECTOR	Modular Jack, 8P8C, R/A, With LED	MJ88-BX11-RVSL1

REV.	ECN NO	DESCRIPTION	REVISED	DATE
A01		New Release	GMC	2009.10.18



RECOMMENDED PCB LAYOUT (TOP VIEW)  
(ALL TOLERANCES ARE ±0.05)

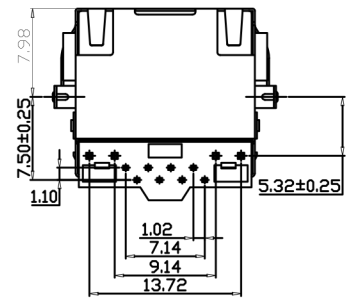
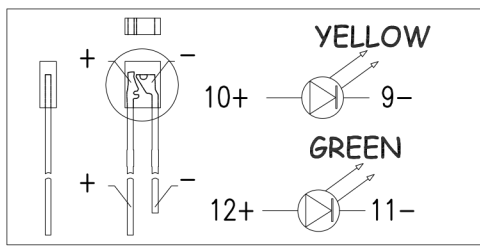
SPECIFICATIONS:

1. Voltage: 150V AC RMS
2. Current Rating: 1.5A
3. Contact Resistance: 30mΩ MAX.
4. Insulation Resistance: 500MΩ MIN.
5. Dielectric Withstang Voltage :1000V AC
6. Operature Temperature: -40°C~80°C
7. Durability: 500 Mating Cycles MIN.

Part No.: MJ88-BX11-RVSL1

Table 1

X	Terminal Plating
0	Au 1u" Plating
1	Au 3u" Plating
2	Au 6u" Plating
3	Au 15u" Plating
4	Au 30u" Plating
5	Au 50u" Plating



NO.	PART NAME	Q'TY	MATERIAL	Material & Plating	Remark
e	LED	1		GREEN	
d	LED	1		YELLOW	
c	Shielding	1	Brass	Ni Plating	
f	COVER	1	LCP+15% G.F UL94V-0	BLACK	
b	Terminal	8	Phosphor Bronze	PLATING & COLOR	
a	Housing	1	LCP+15% G.F UL94V-0	BLACK	

UNLESS OTHERWISE SPECIFIED TOLERANCES  
 DECIMALS: X :±0.5, X.X :±0.3, X.XX :±0.2  
 ANGLES: X :±2°, X.X :±1°

**贵州省合曜电子科技有限公司**  
 GuiZhouSheng HeYao Electronic Technology Co.,Ltd

SCALE:1/1 UNIT: mm DWG.NO: WI-061-751  
 SIZE: A3 PAGE:1 OF 1 REV:A01

APPROVED BY: DICK CHECKED BY: WZ PREPARED BY: WZ

**CUSTOMER COPY**