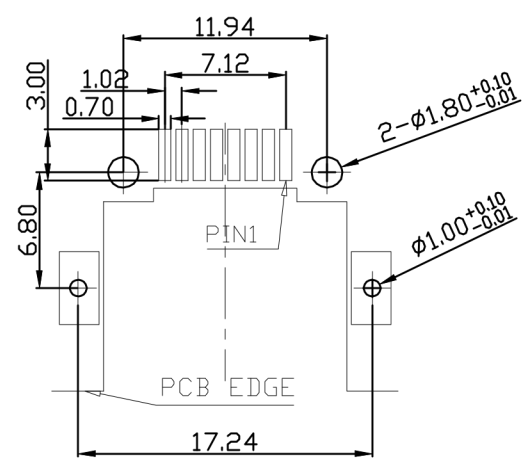
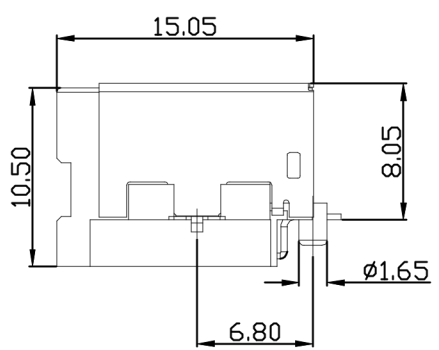
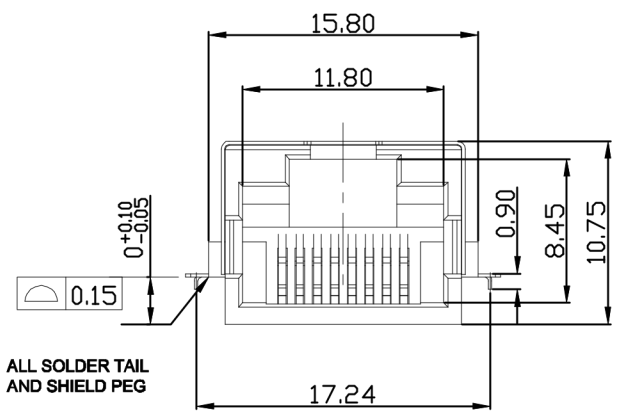
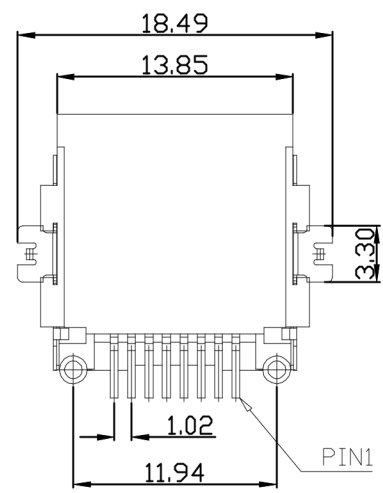
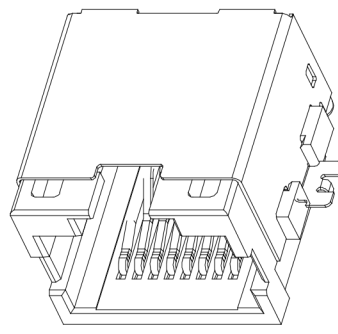


CATEGORY	DESCRIPTION	P/N #
CONNECTOR	Modular Jack, 8P8C, SMT,1X1PORT	MJ88-BX11-TRVS2

REV.	ECN NO	DESCRIPTION	REVISED	DATE
A01		New Release	Kelly	2012.01.17



PCBOARD LAYOUT



Part No.:

MJ88-BX11-TRVS2  
Material & Plating

Table 1

X	Terminal Plating
0	Au 1u" Plating
1	Au 3u" Plating
2	Au 6u" Plating
3	Au 15u" Plating
4	Au 30u" Plating
5	Au 50u" Plating

NOTES:

MATERIAL

- HOUSING MATERIAL :PA46+30%GF UL94V-0.COLOR:BLACK
- CONTACT MATERIAL :PHOSPHOR BRONZE T=0.35mm.
- PLATING :GOLD PLATING OVER NICKEL. FU",3U",6U",15U",30U",50U"
- SHIELD :0.25mm THICKNESS COPPER ALLOY WITH NICKEL PLATED.

ELECTRICAL:

- VOLTAGE RATING :125 VAC RMS.
- CURRENT RATING :1.5 AMP.
- CONTACT RESISTANCE :45 MILLIOHMS MAX.
- INSULATION RESISTANCE :100 MEGOHMS MIN @ 100V DC .
- DIELECTRIC WITHSTANDING RESISTANCE :500V AC RMS 50Hz. 1MIN.

MECHANICAL:

- DURRABILITY :750 CYCLES MIN.
- PCB RETENTION PRE-SOLDER :1 LB MIN.

ENVIRONMENTAL:

- STORAGE : -40°C TO +85°C.
- OPERATION : -30°C TO +85°C.

贵州省合曜电子科技有限公司  
GuiZhouSheng HeYao Electronic Technology Co.,Ltd

UNLESS OTHERWISE SPECIFIED TOLERANCES	SCALE:1/1	UNIT: mm	DWG.NO: WI-061-751
	SIZE: A3	PAGE:1 OF 1	
DECIMALS: X :±0.5 X.X :±0.3 X.XX :±0.2	APPROVED BY Tony	ANGLES: X :±2° X.X :±1°	CHECKED BY Bill
			PREPARED BY Kelly
<b>CUSTOMER COPY</b>			