

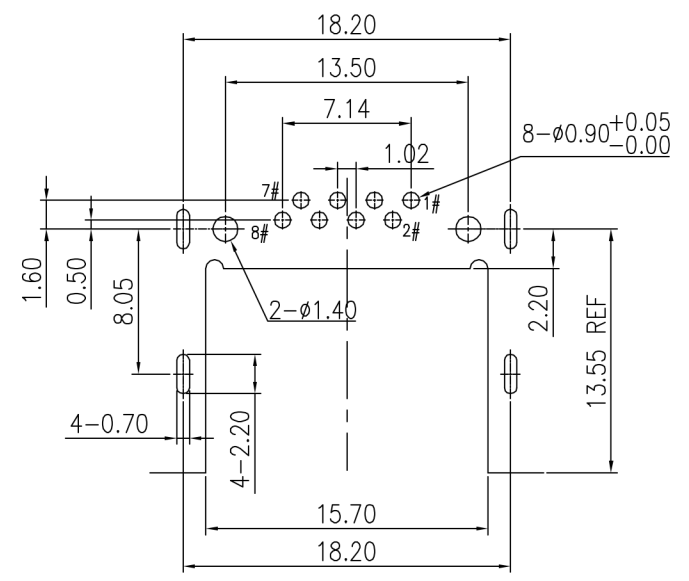
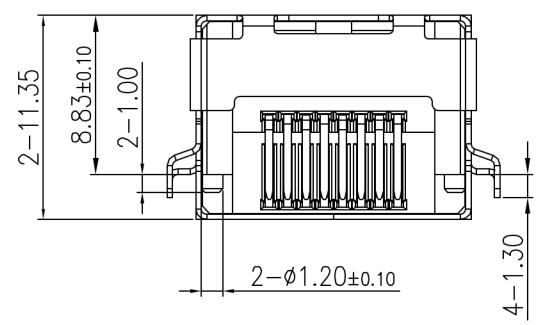
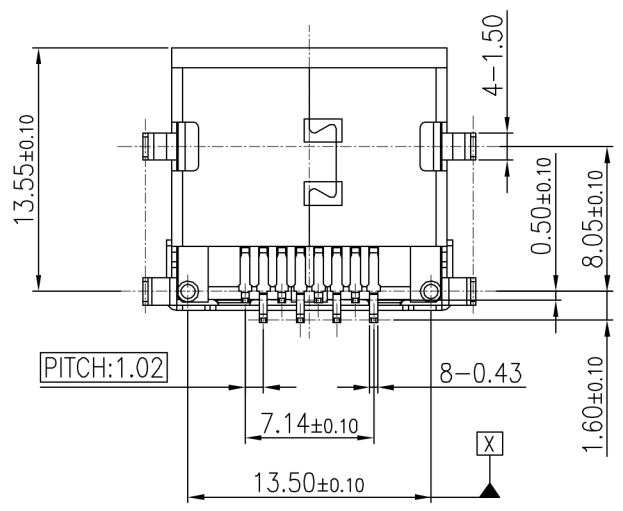
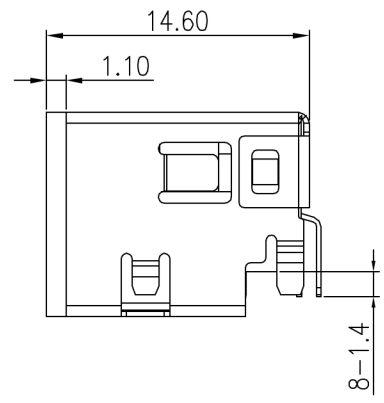
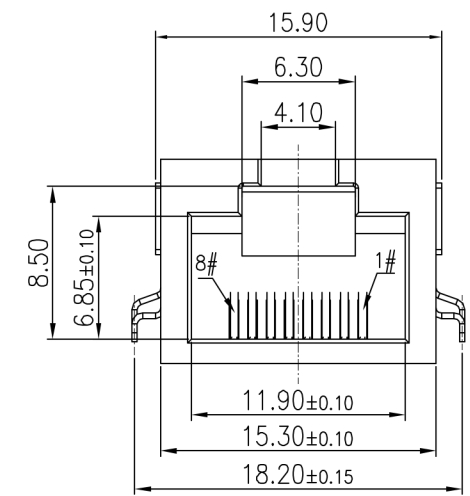
CATEGORY	DESCRIPTION	P/N #
CONNECTOR	RJ45 8P8C, Straddle DIP WITH SHELL H8.83	MJ88-BX11-XRV1

REV.	ECN NO	DESCRIPTION	REVISED	DATE
A01		NEW VIEW	XSY	2014.05.19

Part No.:
MJ88-BX11-XRV1

SPECIFICATIONS:
 1. RJ Electrical Characteristics
 1-1: Voltage: 150V AC RMS
 1-2: Current Rating: 1.5A
 1-3: Contact Resistance: 40mΩ MAX.
 1-4: Insulation Resistance: 500MΩ MIN.
 1-5: Dielectric Withstang Voltage :1000V AC
 1-6: Operature Temperature: -40°C~80°C

X	Terminal Plating
0	Au 1u" Plating
1	Au 3u" Plating
2	Au 6u" Plating
3	Au 15u" Plating



RECOMMEND PCB HOLE LAYOUT
 GENERAL TOLERANCE: ±0.05

NO.	PART NAME	Q'TY	MATERIAL	PLATING & COLOR	Remark
C	Shielding	1	SPCC T=0.3mm	Tin Plating	
B	Contact	8	Phosphor Bronze, T=0.35mm	Au/Tin Plating	
A	Housing	1	PA UL94V-0	Black	

UNLESS OTHERWISE SPECIFIED TOLERANCES
 DECIMALS: X :±0.5 X.X :±0.3 X.XX :±0.2
 ANGLES: X :±2° X.X :±1°

贵州省合曜电子科技有限公司
 GuiZhouSheng HeYao Electronic Technology Co.,Ltd

SCALE: 1/1	UNIT: mm	DWG.NO:
SIZE: A3	PAGE: 1 OF 1	REV: A01
APPROVED BY	CHECKED BY	PREPARED BY
		XSY
CUSTOMER COPY		