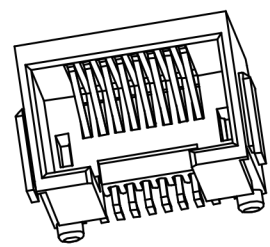
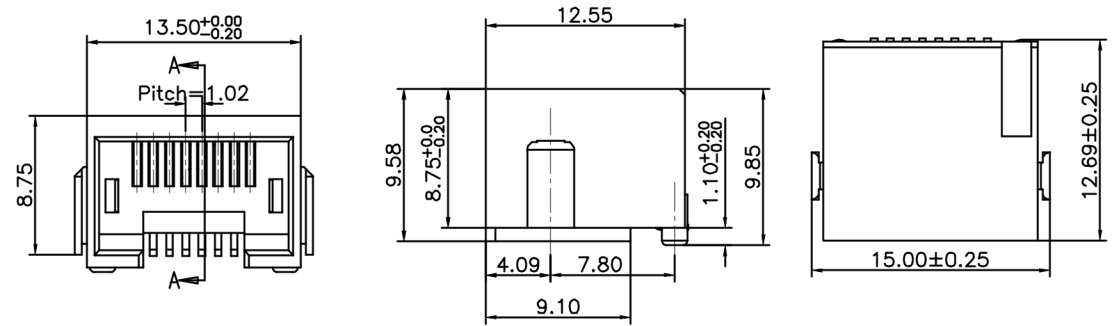
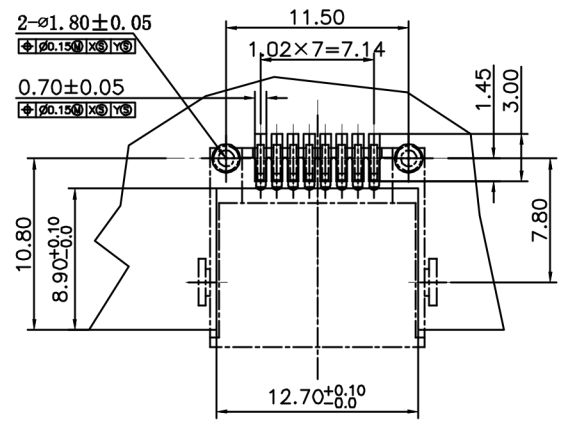
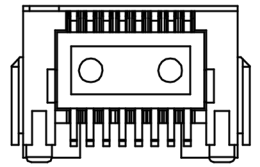
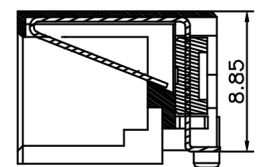
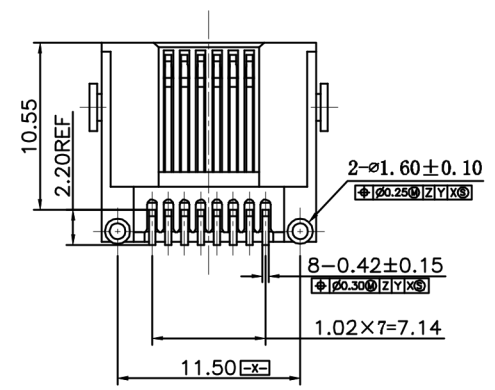


CATEGORY	DESCRIPTION	P/N #
CONNECTOR	Modular Jack, 8P8C,SMT 1x1PORT	MJ88-BX11-ZRNS1

REV.	ECN NO	DESCRIPTION	REVISED	DATE
A01		New Release	Kelly	2012.05.09



NOTES:
 1.MECHANICAL:
 DURABILITY: 10 cycles per minute. Number of cycles:750 cycles.
 2.ELECTRICAL:
 Current Rating : 500mA
 Voltage Rating : 125 VAC
 WITHSTANDING VOLTAGE: 500V AC 1 MINUTE
 CONTACT RESISTANCE: 220 mΩ MAX
 INSULATION RESISTANCE: 500MΩ MIN, 500V DC 1 MINUTE
 3.ENVIRONMENTAL
 TEMPERATURE RANGE -30°C ~ +85°C



RECOMMENDED P.C.B. LAYOUT
 TOLERANCE:±0.05
 TOP VIEW (COMPONENT SIDE)

Part No.: MJ88-BX11-ZRNS1
 Material & Plating

Table 1

X	Terminal Plating
0	Au 1u" Plating
1	Au 3u" Plating
2	Au 6u" Plating
3	Au 15u" Plating
4	Au 30u" Plating
5	Au 50u" Plating

Table:

PRODUCT NO.	ITEM	PART NO.	PART NAME	Q'TY	Material
CA208S020T	1	CA207S0201	SEMI-PRODUCT	1	LCP+30%GF,BLACK,GOLD FLASH
	2	PS102B2910	CONTACT	8	C5210R-H GOLD FLASH
	3	PP101B3080	HOUSING	1	LCP+30%GF,BLACK
CA208S060T	1	CA207S0601	SEMI-PRODUCT	1	LCP+30%GF,BLACK,GOLD 15U"
	2	PS106B2910	CONTACT	8	C5210R-H GOLD 15U"
	3	PP101B3080	HOUSING	1	LCP+30%GF,BLACK
CA208S030T	1	CA207S0301	SEMI-PRODUCT	1	LCP+30%GF,BLACK,GOLD 30U"
	2	PS103B2910	CONTACT	8	C5210R-H GOLD 30U"
	3	PP101B3080	HOUSING	1	LCP+30%GF,BLACK

贵州省合曜电子科技有限公司
 GuiZhousheng HeYao Electronic Technology Co.,Ltd
 Connector

UNLESS OTHERWISE SPECIFIED TOLERANCES	SCALE:1/1	UNIT: mm	DWG.NO: WI-061-751
	SIZE: A3	PAGE:1 OF 1	
DECIMALS: X :±0.5 X.X :±0.3 X.XX :±0.2	ANGLES: X :±2° X.X :±1°	APPROVED BY Tony	CHECKED BY Bill
		PREPARED BY Kelly	
CUSTOMER COPY			