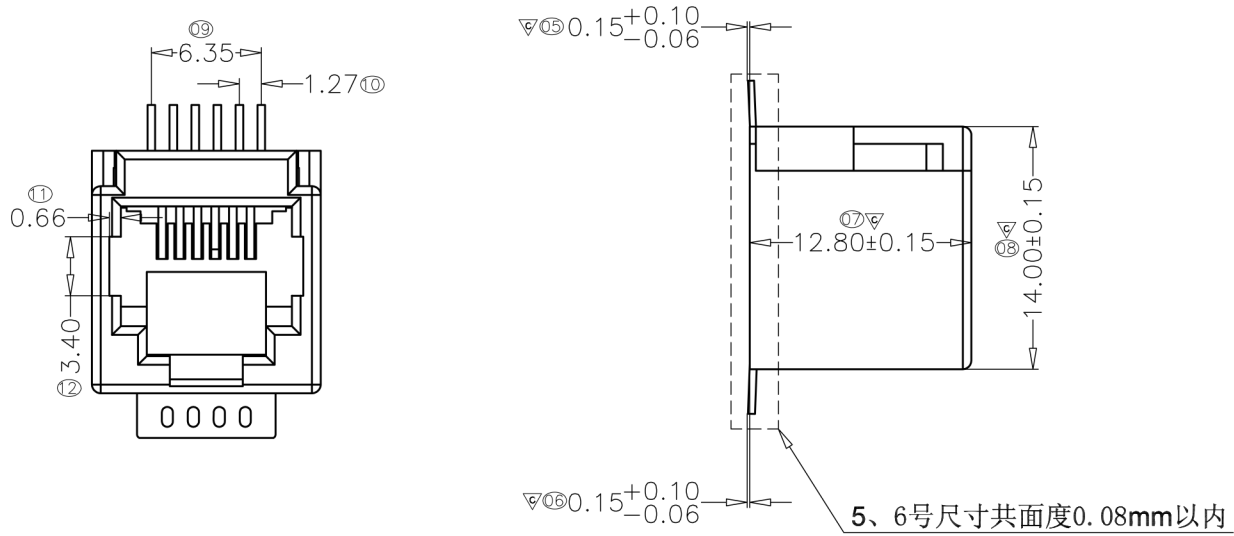
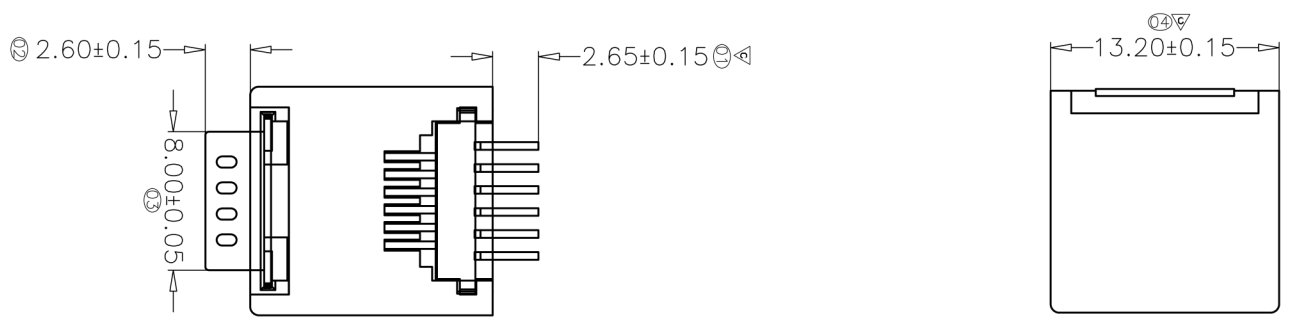


CATEGORY	DESCRIPTION	P/N #
CONNECTOR	Modular Jack, 6P6C, 1x1PORT	MJ66B-BX11-PNS1

REV.	ECN NO	DESCRIPTION	REVISED	DATE
A01		New Release	wz	2010.05.09



- SPECIFICATIONS:**
1. Voltage: 150V AC RMS
 2. Current Rating: 1.5A
 3. Contact Resistance: 30mΩ MAX.
 4. Insulation Resistance: 500MΩ MIN.
 5. Dielectric Withstang Voltage :1000V AC
 6. Operature Temperature: -40°C~80°C
 7. Durability: 500 Mating Cycles MIN.



Part No.: MJ66B-BX11-PNS1
Material & Plating

Table 1

X	Terminal Plating
0	Au 1u" Plating
1	Au 3u" Plating
2	Au 6u" Plating
3	Au 15u" Plating
4	Au 30u" Plating
5	Au 50u" Plating

贵州省合曜电子科技有限公司
GuiZhousheng HeYao Electronic Technology Co.,Ltd

NO.	PART NAME	Q'TY	MATERIAL	PLATING & COLOR	Remark
b	Terminal	8	Phosphor Bronze	Terminal Plating	
a	Housing	1	LCP	See Color Scheme	

UNLESS OTHERWISE SPECIFIED TOLERANCES

DECIMALS: X :±0.5, X.X :±0.3, X.XX :±0.2
 ANGLES: X :±2°, X.X :±1°

SCALE: 1/1 UNIT: mm
 SIZE: A3 PAGE: 1 OF 1 REV: A01
 DWG. NO: WI-061-751

APPROVED BY: TONY
 CHECKED BY: WZ
 PREPARED BY: WZ

CUSTOMER COPY