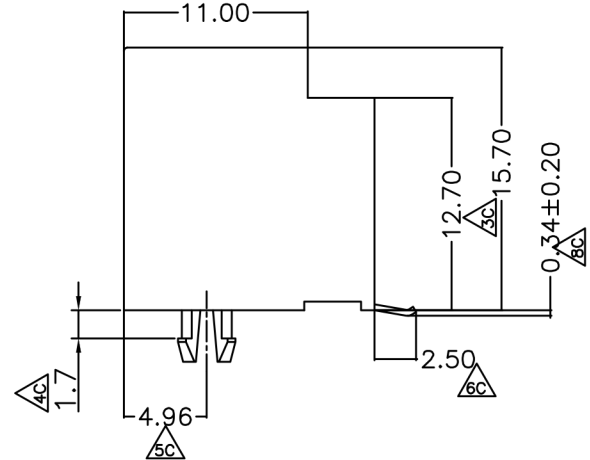
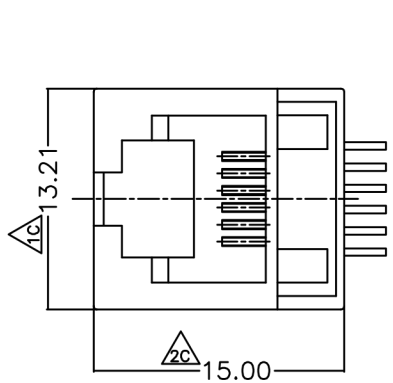
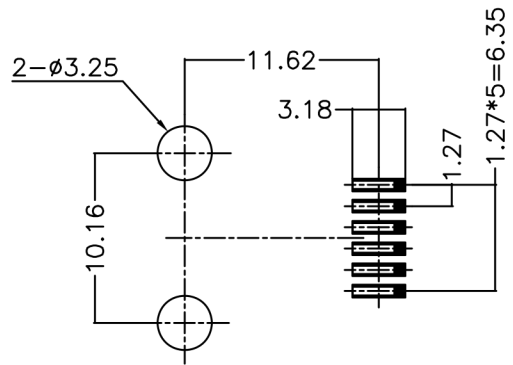
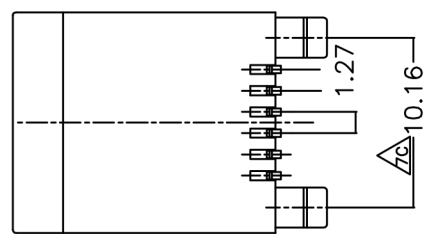


CATEGORY	DESCRIPTION	P/N #
CONNECTOR	Modular Jack, 6P6C, 1x1PORT	MJ66-BX11-JPN2S1

REV.	ECN NO	DESCRIPTION	REVISED	DATE
A01		New Release	GMC	2010.04.12



- SPECIFICATIONS:**
1. Voltage: 150V AC RMS
 2. Current Rating: 1.5A
 3. Contact Resistance: 30mΩ MAX.
 4. Insulation Resistance: 500MΩ MIN.
 5. Dielectric Withstang Voltage :1000V AC
 6. Operature Temperature: -40°C~80°C
 7. Durability: 500 Mating Cycles MIN.



PCB LAYOUT/TOP VIEW

Part No.: MJ66-BX11-JPN2S1
Material & Plating

Table 1

X	Terminal Plating
0	Au 1u" Plating
1	Au 3u" Plating
2	Au 6u" Plating
3	Au 15u" Plating
4	Au 30u" Plating
5	Au 50u" Plating

NO.	PART NAME	Q'TY	MATERIAL	PLATING & COLOR	Remark
b	Terminal	8	Phosphor Bronze	Terminal Plating	
a	Housing	1	FR52 UL94V-0	See Color Scheme	

UNLESS OTHERWISE SPECIFIED TOLERANCES
 DECIMALS: X :±0.5, X.X :±0.3, X.XX :±0.2
 ANGLES: X :±2°, X.X :±1°

贵州省合曜电子科技有限公司
GuiZhouSheng HeYao Electronic Technology Co.,Ltd

SCALE:1/1 UNIT: mm DWG.NO: WI-061-751
 SIZE: A3 PAGE:1 OF 1 REV:A01

APPROVED BY: TONY CHECKED BY: WZ PREPARED BY: WZ

CUSTOMER COPY