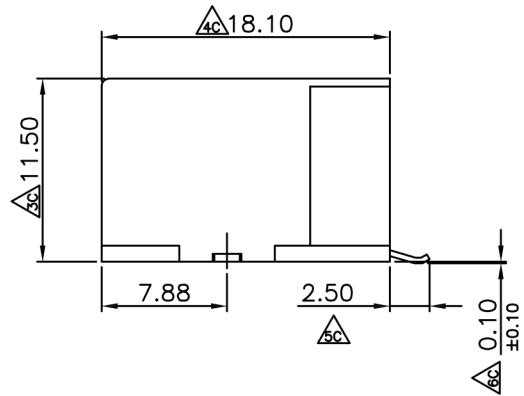
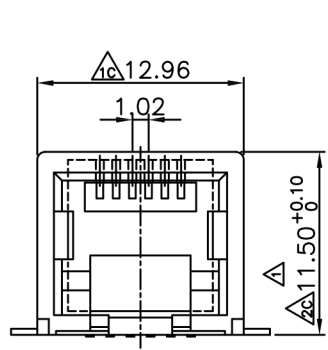


CATEGORY	DESCRIPTION	P/N #
CONNECTOR	Modular Jack, 6P6C, 1x1PORT	MJ66-BX11-JRNS1

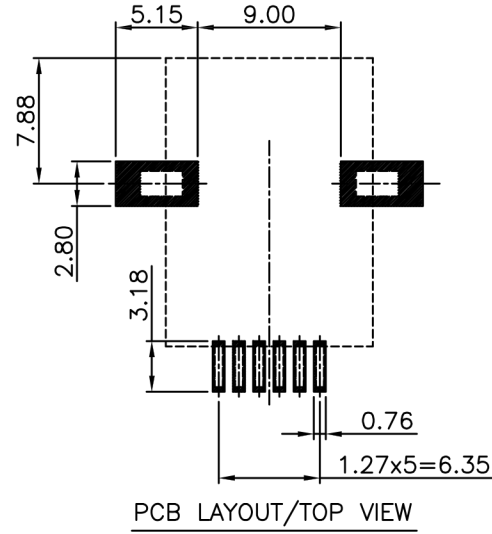
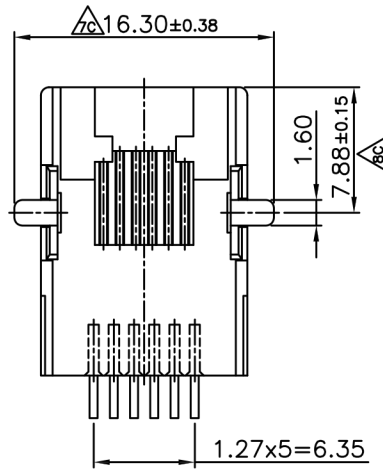
REV.	ECN NO	DESCRIPTION	REVISED	DATE
A01	—	New Release	GMC	2010.04.20



Electrical:
 1.Voltage Rating:125 Vac Rms.
 2.Current Rating:1.5 Amp.
 3.Contact Resistance:40 Milliohms Max.
 4.Insulation Resistance:1000 Megohms Min @500 Vdc.
 5.Dielectric Strength:1000 Vac Rms 60Hz, 1Min.

Mechanical:
 1.Operating:750 Cycles Min.

Environmental:
 1.Storage:-40°C To +85°C.
 2.Opertion:-20°C To +75°C.
 3.IR Reflow Soldering Temperature:255°C To 265°C(5~10 Seconds).
 Mates With Modular Plug Conforming To FCC Part 68, Subpart F.



Part No.: MJ66-BX11-JRNS1

Material & Plating

Table 1	X	Terminal Plating
0	Au	1u" Plating
1	Au	3u" Plating
2	Au	6u" Plating
3	Au	15u" Plating
4	Au	30u" Plating
5	Au	50u" Plating

MATERIALS:
 PLASTIC HOUSING: HIGH TEMP. THERMOPLASTIC
 FLAMMABILITY RATING UL 94V-0.
 CONTACTS: PHOSPHOR BRONZE
 PLATING: GOLD PLATING OVER NICKEL IN CONTACT.
 TIN PLATING OVER NICKEL IN SOLDER AREA.
 SOLDER PADER: BRASS PLATING NICKEL ALLOY.

 **贵州省合曜电子科技有限公司**
 GuiZhouSheng HeYao Electronic Technology Co.,Ltd

UNLESS OTHERWISE SPECIFIED TOLERANCES	SCALE:1/1	UNIT: mm	DWG.NO: WI-061-751
	SIZE: A3	PAGE:1 OF 1	
DECIMALS: X :±0.5 X.X :±0.3 X.XX :±0.2	ANGLES: X :±2° X.X :±1°	APPROVED BY TONY	CHECKED BY WZ
			PREPARED BY WZ
CUSTOMER COPY			