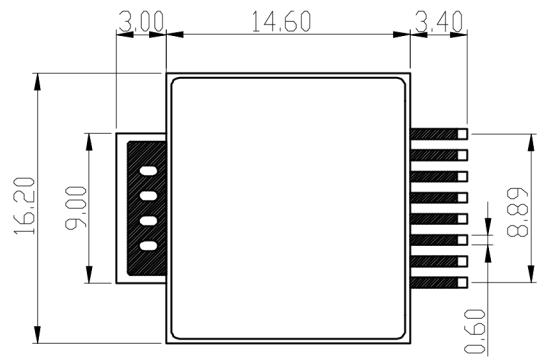
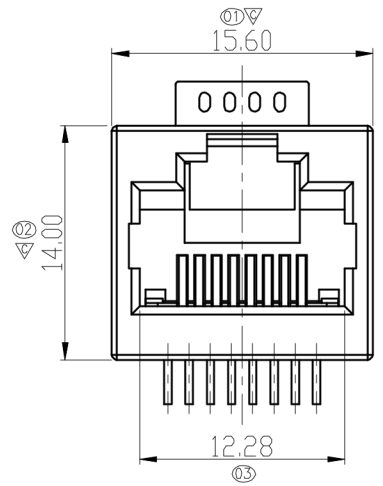


CATEGORY	DESCRIPTION	P/N #
CONNECTOR	Modular Jack, 8P8C, R/A,	MJ88B-BX11-PNS1

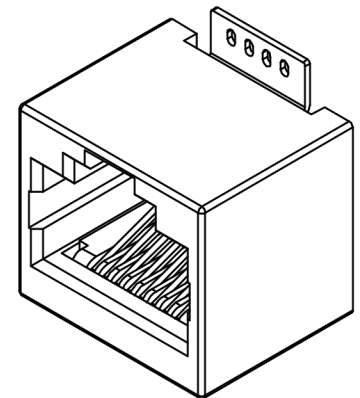
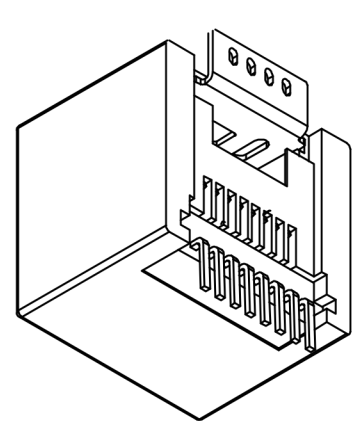
REV.	ECN NO	DESCRIPTION	REVISED	DATE
A01		New Release	DICK	2013.08.31



PCB LAYOUT/TOP VIEW  
TOLERANCE=±0.05

SPECIFICATIONS:

1. Voltage: 150V AC RMS
2. Current Rating: 1.5A
3. Contact Resistance: 30mΩ MAX.
4. Insulation Resistance: 500MΩ MIN.
5. Dielectric Withstang Voltage :1000V AC
6. Operature Temperature: -40°C~80°C
7. Durability: 500 Mating Cycles MIN.



Part No.: MJ88-BX11-PNS1

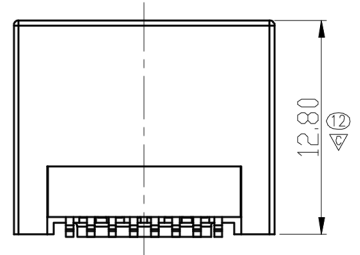
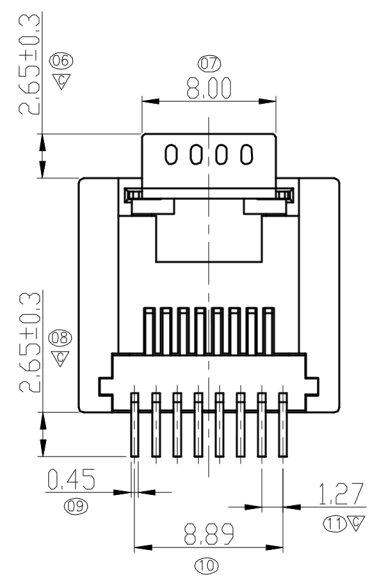
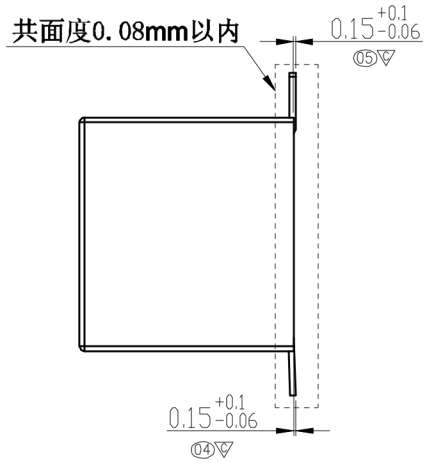


Table 1

X	Terminal Plating
0	Au 1u" Plating
1	Au 3u" Plating
2	Au 6u" Plating
3	Au 15u" Plating
4	Au 30u" Plating
5	Au 50u" Plating

**贵州省合曜电子科技有限公司**  
GuiZhouSheng HeYao Electronic Technology Co.,Ltd

NO.	PART NAME	Q'TY	MATERIAL	Material & Plating	Remark
f	COVER	1	LCP UL 94V-0	BLACK	
b	Terminal	8	Phosphor Bronze	PLATING & COLOR	
a	Housing	1	LCP UL 94V-0	BLACK	

UNLESS OTHERWISE SPECIFIED TOLERANCES  
 DECIMALS: X :±0.5, X.X :±0.3, X.XX :±0.2  
 ANGLES: X :±2°, X.X :±1°

SCALE:1/1	UNIT: mm	DWG.NO: WI-061-751	
SIZE: A3	PAGE:1 OF 1	REV:A01	
APPROVED BY	CHECKED BY	PREPARED BY	
TONY	DICK	KELLY	
<b>CUSTOMER COPY</b>			