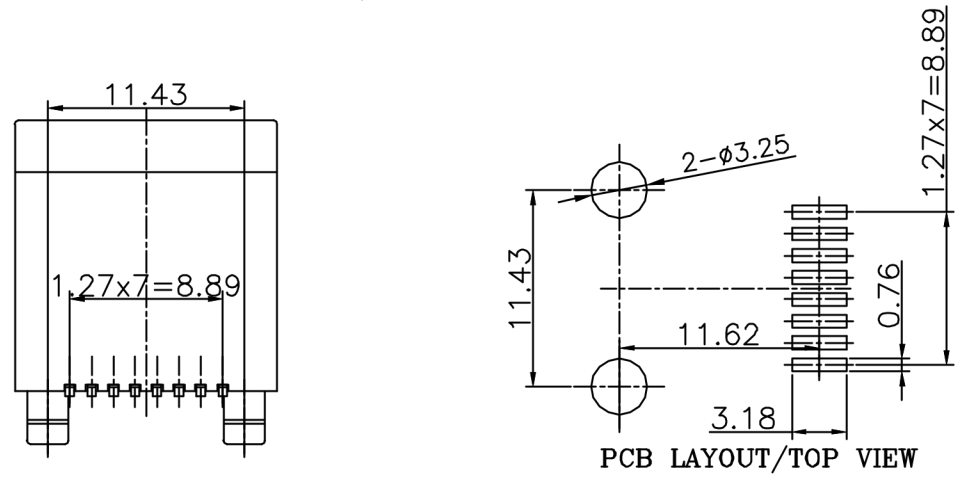
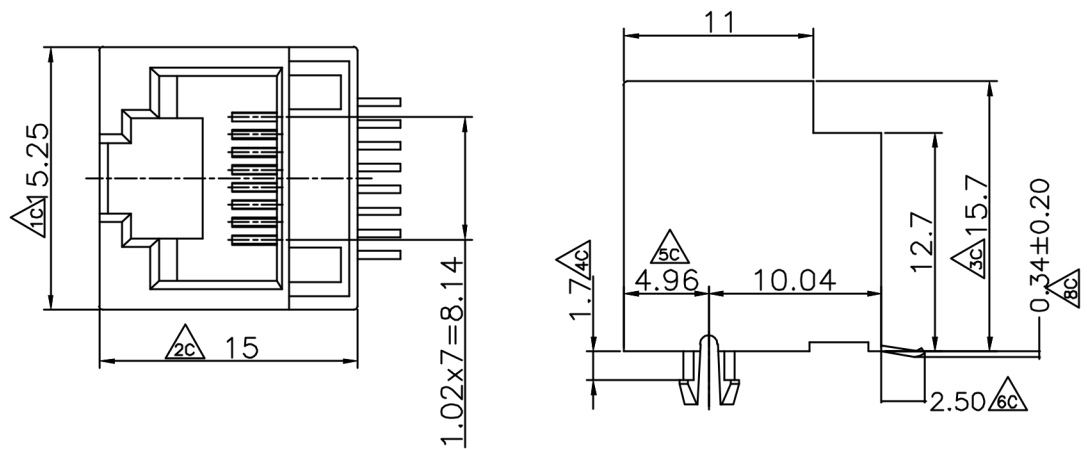


CATEGORY	DESCRIPTION	P/N #
CONNECTOR	RJ45 8P8C Connector SMT	MJ88-BX11-JPNS4

REV.	ECN NO	DESCRIPTION	REVISED	DATE
A01		New Release	KELLY	2013.02.13



**Electrical:**  
 1.Voltage Rating:125 Vac Rms.  
 2.Current Rating:1.5 Amp.  
 3.Contact Resistance:40 Milliohms Max.  
 4.Insulation Resistance:1000 Megohms Min @500 Vdc.  
 5.Dielectric Strength:1000 Vac Rms 60Hz, 1Min.

**Mechanical:**  
 1.Operating:750 Cycles Min.

**Environmental:**  
 1.Storage:-40°C To +85°C.  
 2.Operation:-20°C To +75°C.  
 3.IR Reflow Soldering Temperature:255°C To 265°C(5~10 Seconds).  
 Mates With Modular Plug Conforming To FCC Part 68, Subpart F.

Part No.:  
MJ88-BX11-JPNS4

X	Terminal Plating
0	G/F Plating
1	Au 3u" Plating
2	Au 6u" Plating
3	Au 15u" Plating
4	Au 30u" Plating

**MATERIALS:**  
 PLASTIC HOUSING: HIGH TEMP THERMOPLASTIC  
 FLAMMABILITY RATING UL 94V-0.  
 CONTACTS: PHOSPHOR BRONZE  
 PLATING: GOLD PLATING OVER NICKEL IN CONTACT.  
 TIN PLATING OVER NICKEL IN SOLDER AREA.



UNLESS OTHERWISE SPECIFIED TOLERANCES	SCALE:1/1	UNIT: mm	DWG.NO:
	SIZE: A3	PAGE:1 OF 1	
DECIMALS: X :±0.5 X.X :±0.3 X.XX :±0.2	ANGLES: X :±2° X.X :±1°	APPROVED BY TONY	CHECKED BY BILL
		PREPARED BY KELLY	
CUSTOMER COPY			