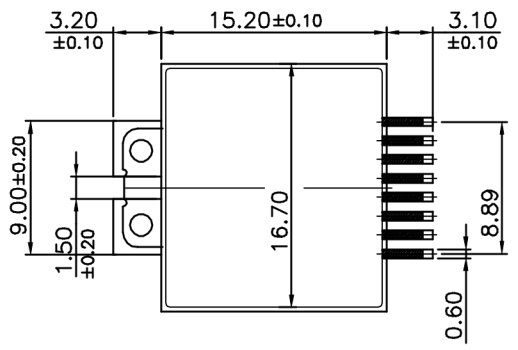
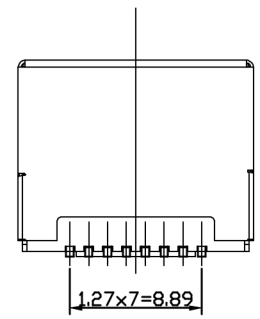
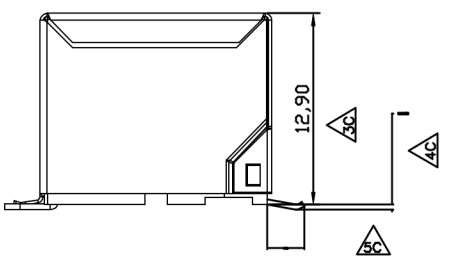
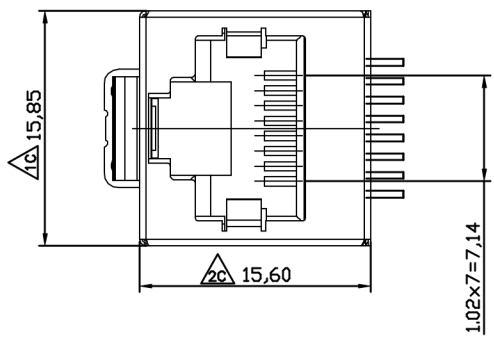


CATEGORY	DESCRIPTION	P/N #
CONNECTOR	Modular Jack, 1*1 Port, SMT TYPE	MJ88-BX11-JPS2

REV.	ECN NO	DESCRIPTION	REVISED	DATE
A1		New Release	Kelly	2012.06.13



PCB LAYOUT/TOP VIEW

SPECIFICATION

- CURRENT RATING: 1.5AMPS
- VOLTAGE RATING: 125V AC
- INSULATION RESISTANCE: 500MΩ MIN.
- WITHSTAND VOLTAGE: AC1000V RMS 50Hz or 60Hz MIN.
- CONTACT RESISTANCE: 30mΩ MAX.
- DURABILITY: 750 MATING CYCLES
- OPERATING TEMPERATURE: -25°C~+70°C

PART NO.:
MJ88-BX11-JPS2

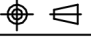
Material & Plating

Table 1

X	Terminal Plating
0	Au 1u" Plating
1	Au 3u" Plating
2	Au 6u" Plating
3	Au 15u" Plating
4	Au 30u" Plating
5	Au 50u" Plating

MATERIALS:
 PLASTIC HOUSING: ENGINEERING THERMOPLASTIC
 FLAMMABILITY RATING UL 94V-0.
 CONTACTS: PHOSPHOR BRONZE
 PLATING: GOLD PLATING OVER NICKEL IN CONTACT.
 TIN PLATING OVER NICKEL IN SOLDER AREA.

 **贵州省合曜电子科技有限公司**
 GuiZhouSheng HeYao Electronic Technology Co.,Ltd

UNLESS OTHERWISE SPECIFIED TOLERANCES	SCALE:1/1	UNIT: mm		DWG.NO:
	SIZE: A3	PAGE:1 OF 1	REV:R01	
DECIMALS: X :±0.5 X.X :±0.3 X.XX :±0.2	ANGLES: X :±2° X.X :±1°	APPROVED BY Tony	CHECKED BY Bill	PREPARED BY Kelly
CUSTOMER COPY				