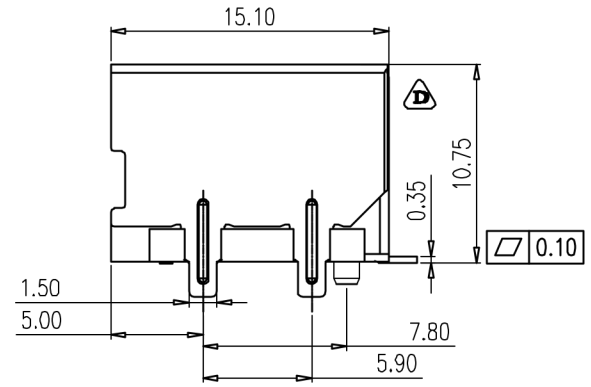
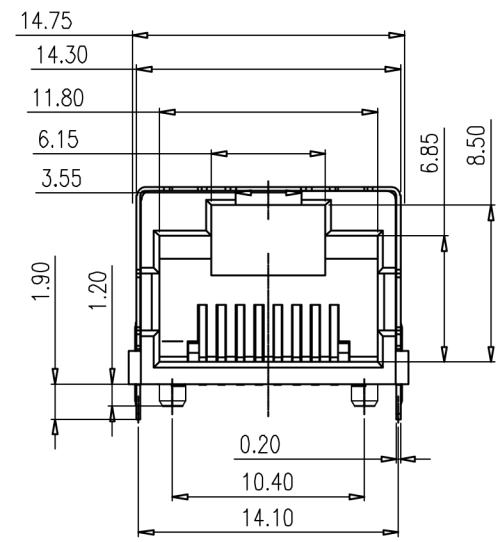


CATEGORY	DESCRIPTION	P/N #
CONNECTOR	RJ45 8P8C Connector SMT	MJ88-BX11-SRS1

REV.	ECN NO	DESCRIPTION	REVISED	DATE
A01		New Release	XSY	2014.02.13

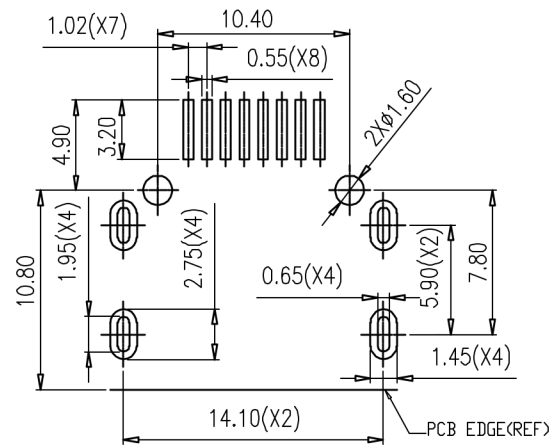
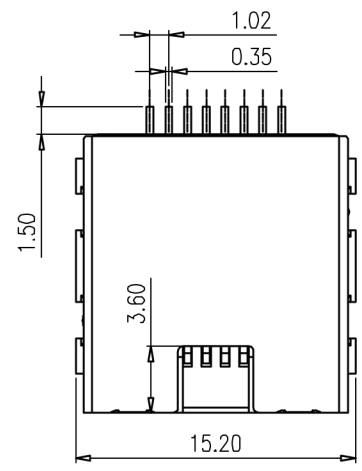


SPECIFICATION

- VOLTAGE TARING: 125 VAC RMS.
- CURRENT TATING: 1.5 AMP
- CONTACT RESISTANCE: 50 mΩ MAX
- INSULATION RESISTANCE: 500MΩ MIN.
- WITHSTAND VOLTAGE:
AC1000V RMS 50Hz or 60Hz MIN.
- OPERATING TEMPERATURE: 0°C~+70°C

NOTES:

- MATERIAL:
 - HOUSING: THERMOPLASTIC FLAMMABILITY RATING UL94V-0
 - CONTACT: COPPERY ALLOY T=0.35mm
 - SHELL: COPPERY ALLOY T=0.2mm
- FINISH:
 - CONTACT:
 - 4u"Min.Au PLATED ON CONTACT AREA
 - G/F PLATING ON SOLDER TAIL AREA
 - 50~80u" NICKEL UNDERPLATING OVERALL
 - SHELL:
 - 30~50u" NICKEL UNDERPLATING OVERALL
- OTHER GENERAL SPEC.TO REFER:RJ45 SERDES SPEC



RECOMMENDED PCB LAYOUT(TOP VIEW)
GENERAL TOLERANCES:±0.05

Part No.:
MJ88-BX11-SRS1

X	Terminal Plating
0	G/F Plating
1	Au 3u" Plating
2	Au 6u" Plating
3	Au 15u" Plating
4	Au 30u" Plating

NO.	PART NAME	Q'TY	MATERIAL	PLATING & COLOR	Remark
d	SEMI-FINISHED PRODUCTS	1	PA9T UL94V-0	BLACK	
c	SHELL	1	COPPER ALLOY	Ni PALTING	
b	TERMINAL	8	COPPER ALLOY	Au PALTING	
a	HOUSING	1	PA9T UL94V-0	BLACK	

UNLESS OTHERWISE SPECIFIED TOLERANCES	SCALE:1/1	UNIT: mm	⊕ ⊖	DWG.NO:
	SIZE: A3	PAGE:1 OF 1	REV:A01	
DECIMALS: X :±0.5 X.X :±0.3 X.XX :±0.2	ANGLES: X :±2° X.X :±1°	APPROVED BY	CHECKED BY	PREPARED BY XSY
CUSTOMER COPY				

 **贵州省合曜电子科技有限公司**
GuiZhouSheng HeYao Electronic Technology Co.,Ltd